

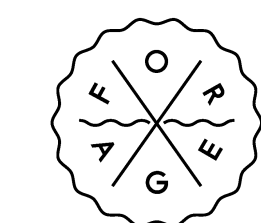
FORAGE KITCHEN - BROOKFIELD

350 DISCOVERY DRIVE
BROOKFIELD, WI 53045

C

APPLICABLE CODES:	GENERAL: INTERNATIONAL BUILDING CODE (IBC) 2015 & SPS 361-366 AMENDMENTS EXISTING: INTERNATIONAL EXISTING BUILDING CODE (IEBC) 2015 & SPS 363 AMENDMENTS ENERGY CONSERVATION: INTERNATIONAL ENERGY CONSERVATION CODE (IECC) 2015 & SPS 364 AMENDMENTS PLUMBING: WISCONSIN PLUMBING CODE: SPS 380-387 MECHANICAL: INTERNATIONAL MECHANICAL CODE (IMC) 2015 & SPS 364 AMENDMENTS ELECTRICAL: NATIONAL ELECTRICAL CODE (NEC) 2017 & SPS 316 AMENDMENTS FIRE: INTERNATIONAL FIRE CODE (IFC) 2015 & SPS 314 AMENDMENTS FUEL: INTERNATIONAL FUEL GAS CODE (IFGC) 2015 & SPS 345 AMENDMENTS ACCESSIBILITY: ANSI STANDARD A117.1-2009 FOR ACCESSIBILITY
IBC - CHAPTER 3 USE AND OCCUPANCY CLASSIFICATION:	SCOPE AREA: • BUSINESS GROUP (B) OUTSIDE SCOPE AREA: • ASSEMBLY (A-3) - POTENTIALLY
IBC - CHAPTER 5 CLASSIFICATION OF WORK:	ALTERATION-LEVEL 3
IBC - 504.3 HEIGHT IN FEET	FOR TYPE V-B (W/ SPRINKLERS): • ACTUAL: 20FT • ALLOWED: - (B): 75FT - (A-3): 75FT
IBC - 504.4 NUMBER OF STORIES	• ACTUAL: 1 STORIES • ALLOWED: - (B): 4 STORIES - (A-3): 4 STORIES
IBC - 506.2 ALLOWABLE AREA DETERMINATION & 506.3 FRONTAGE INCREASE	ACTUAL: 21,557 SF (ENTIRE BUILDING) - FRONTAGE INCREASE NOT USED • (B): 1,720 SF (SCOPE AREA)
IBC - 508.3 NONSEPARATED OCCUPANCIES:	NO
IBC - 508.4 SEPARATED OCCUPANCIES	YES • BUT NOT IN THIS SCOPE. (OTHER TENANTS HAVE ITR SEPARATIONS)
IBC - TABLE 601 FIRE-RESISTANCE RATING REQUIREMENTS FOR BUILDING ELEMENTS (HOURS)	FOR TYPE I-B: • STRUCTURAL FRAME: 0 HR • BEARING WALLS-EXTERIOR: 0 HR • BEARING WALLS-INTERIOR: 0 HR • NON-BEARING WALLS-EXTERIOR: (SEE TABLE 602) • NON-BEARING WALLS-INTERIOR: 0 HR • FLOOR CONSTRUCTION: 0 HR • ROOF CONSTRUCTION: 0 HR
IBC - TABLE 602 FIRE-RESISTANCE RATING REQUIREMENTS FOR EXTERIOR WALLS BASED ON FIRE SEPARATION DISTANCE	FOR TYPE V-B: FIRE SEPARATION DISTANCE • X < 50 = 1 HR • 50 ≤ X < 10 = 1 HR • 10 ≤ X ≤ 30 = 0 HR • X ≥ 30 = 0 HR
IBC - 803.11 INTERIOR FINISH REQUIREMENTS BASED ON GROUP	FOR (B): • SPRINKLERED • INTERIOR EXIT STAIRWAYS AND RAMPS AND EXIT PASSAGEWAYS: CLASS B • CORRIDORS AND ENCLOSURE FOR EXIT ACCESS STAIRWAYS AND RAMPS: CLASS C • ROOMS AND ENCLOSURE: CLASS C
IBC - SECTION 903 AUTOMATIC SPRINKLER SYSTEMS	SPRINKLERS - NFPA 13
IBC - TABLE 906.3(1) FIRE EXTINGUISHERS FOR CLASS A FIRE HAZARDS	• EVERYWHERE EXCEPT KITCHEN (IF APPLICABLE) - SEE TYPE K BELOW: • TYPE OF HAZARD OCCUPANCY: ORDINARY (MODERATE) • EXTINGUISHER SIZE & MAX. TRAVEL DISTANCES - TYPE 2-A: + MAXIMUM FLOOR AREA PER UNIT OF A: 1,500SF + MAXIMUM FLOOR AREA FOR EXTINGUISHER: 11,250SF + MAXIMUM DISTANCE TO EXTINGUISHER: 75FT • IF APPLICABLE COMM. KITCHENS W/ EQUIPMENT INVOLVING SOLID FUELS OR VEGETABLE OR ANIMAL OILS AND FATS: - TYPE OF HAZARD OCCUPANCY: ORDINARY (MODERATE) - TYPE K: 2.5-GALLON OR (2) 1-GALLON (WITHIN 30FT OF COOKING EQUIPMENT) • PORTABLE FIRE EXTINGUISHERS SHALL BE LOCATED IN CONSPICUOUS LOCATIONS WHERE THEY WILL BE READILY ACCESSIBLE AND IMMEDIATELY AVAILABLE FOR USE. THESE LOCATIONS SHALL BE ALONG NORMAL PATHS OF TRAVEL.
IBC - SECTION 907 FIRE ALARM AND DETECTION SYSTEMS	• NO ALARM REQUIRED, OR PROVIDED
IBC - SECTION 1004 OCCUPANT LOAD	SEE OCCUPANT LOAD ROOM SCHEDULE
IBC - SECTION 1020 CORRIDORS	CORRIDORS: 0 HR RATED (W/ SPRINKLERS)
IBC - 1026.2.1 EGRESS BASED ON OCCUPANT LOAD AND COMMON PATH OF EGRESS TRAVEL DISTANCE	FOR (B): • MAXIMUM COMMON PATH WITH SPRINKLER SYSTEM: 100FT • MAXIMUM OCCUPANT LOAD OF SPACE WITH ONE EXIT: 49
IBC - EMERGENCY POWER FOR ILLUMINATION	SEE OCCUPANT LOAD ROOM SCHEDULE FOR ROOMS THAT REQUIRE EMERGENCY LIGHTING
IBC - SECTION 1017 EXIT ACCESS TRAVEL DISTANCE:	FOR (B): • FOR B: 300 FT (W/SPRINKLER)
IBC - 1020.4 DEAD ENDS	50 FEET W/ SPRINKLERS
2902.1 MINIMUM NUMBER OF FIXTURES	CLASSIFICATION: (B) TOTAL OCCUPANTS: 44 FEMALE OCCUPANTS: 22 MALE OCCUPANTS: 22 • WATER CLOSETS: 1 PER 25 - WOMEN: 1 REQUIRED (1 PROVIDED) - MEN: 1 REQUIRED (1 PROVIDED) • LAVATOIRES: 1 PER 40 - WOMEN: 1 REQUIRED (1 PROVIDED) - MEN: 1 REQUIRED (1 PROVIDED) • DRINKING FOUNTAINS: 1 PER 100 - (PROPOSED ALTERNATIVE: FAUCET IN KITCHEN) • SERVICE SINK: 1 REQUIRED (1 MOP SINK PROVIDED)

5/A000 CODE INFORMATION



Owner: Forage Kitchen
5352 King James Way
Fitchburg, WI 53719
eatforage.com

Architect: OpeningDesign
17 S Fairchild | FL 7
Madison, WI 53703
ryan@openingdesign.com | 773.425.6456

A

GENERAL REQUIREMENTS:	• DESIGN-BUILD SYSTEMS: MECHANICAL (HVAC), ELECTRICAL, PLUMBING, FIRE PROTECTION, AND FIRE ALARM SYSTEMS WILL BE DELIVERED VIA DESIGN-BUILD. THESE DRAWINGS DO NOT INCLUDE SYSTEM-SPECIFIC DETAILS. THE M/E/P/F/A CONTRACTOR IS RESPONSIBLE FOR FINAL DESIGN COORDINATION WITH THE GENERAL CONTRACTOR AND MUST NOTIFY THE ARCHITECT OF ANY STRUCTURAL OR ARCHITECTURAL CHANGES IN ADVANCE. • PERMITS AND FEES: THE GENERAL CONTRACTOR (GC) IS RESPONSIBLE FOR ALL PERMITS, APPLICATIONS, INSPECTION CERTIFICATES, TAXES, AND RELATED FEES. • CODES AND REGULATIONS: ALL WORK MUST COMPLY WITH APPLICABLE CITY, TOWNSHIP, COUNTY, STATE, AND FEDERAL CODES, STATUTES, ORDINANCES, AND THE REQUIREMENTS OF THE AUTHORITY HAVING JURISDICTION (AHL). • UNAUTHORIZED WORK: ANY CONSTRUCTION DEVIATING FROM THE DRAWINGS WITHOUT WRITTEN ARCHITECT APPROVAL IS UNAUTHORIZED. THE CONTRACTOR IS RESPONSIBLE FOR ANY REQUIRED REWORK.
COORDINATION AND COMMUNICATION:	• CONTRACTORS SHALL REVIEW THE ENTIRE DRAWING SET (INCLUDING ACROSS DISCIPLINES) AND VISIT THE SITE BEFORE STARTING WORK TO VERIFY COMPATIBILITY WITH EXISTING CONDITIONS. • CONTRACTORS MUST NOTIFY THE ARCHITECT OF ANY OMISSIONS, CONFLICTS, OR DISCREPANCIES BEFORE CONSTRUCTION BEGINS. FAILURE TO DO SO MAKES THE CONTRACTOR RESPONSIBLE FOR REWORK. • THE GC MUST COORDINATE ACCESS PANELS/CLEAN-OUT LOCATIONS WITH THE M/E/P CONTRACTOR AND THE ARCHITECT. • GC TO CONFIRM ALL PPE/DUCT ROUTING WITH M/E/P CONTRACTORS BEFORE FRAMING. • ONLY ARCHITECTURAL AND STRUCTURAL DRAWINGS HAVE BEEN COORDINATED WITH THE ARCHITECT; NOTIFY THE ARCHITECT IF M/E/P WORK CONFLICTS WITH THESE DRAWINGS. • GC MUST PROVIDE THE ARCHITECT A MINIMUM OF TWO WEEKS TO REVIEW SHOP DRAWINGS AND SUBSTITUTION REQUESTS. ARCHITECT'S REVIEW DOES NOT RELIEVE THE CONTRACTOR OF RESPONSIBILITY FOR SAFETY OR CONSTRUCTION METHODS. • ARCHITECT'S PRESENCE ON SITE DOES NOT IMPLY APPROVAL. CONTRACTOR MUST SPECIFICALLY CALL OUT WORK REQUIRING ARCHITECT REVIEW/APPROVAL.
CONSTRUCTION RESPONSIBILITIES:	• VERIFY ALL DIMENSIONS AND TAKEOFFS PRIOR TO BIDDING OR ORDERING MATERIALS. • DO NOT SCALE DRAWINGS. • MAINTAIN INGRESS AND EGRESS TO THE SITE DURING CONSTRUCTION. • CONTRACTOR RESPONSIBLE FOR PROTECTING FINISHED SURFACES (E.G., EXPOSED CONCRETE). • CONTRACTOR RESPONSIBLE FOR ALL TEMPORARY SHORING, DESIGNED BY A LICENSED STRUCTURAL ENGINEER. • MANUFACTURED PRODUCTS/EQUIPMENT MUST BE INSTALLED PER MANUFACTURER REQUIREMENTS. • GC TO PROVIDE BLOCKING AND SUPPORTS FOR MOUNTED ITEMS (E.G., GRAB BARS, PLUMBING FIXTURES, MILLWORK, CASEWORK). • CONTRACTOR TO COLLECT, TRANSPORT, AND DISPOSE OF ALL CONSTRUCTION WASTE. • KEEP SITE CLEAN; REMOVE DEBRIS AND UNUSED EQUIPMENT REGULARLY.
FIRE AND SAFETY REQUIREMENTS:	• SEAL ALL PENETRATIONS IN RATED PARTITIONS, CEILING, AND FLOORS WITH UL-APPROVED, CODE-COMPLIANT FIRESTOP. • NOTIFY THE ARCHITECT OF ANY EXTERIOR WALL PENETRATIONS LARGER THAN 12"x12". • ANY NEW OR MODIFIED FIRE ALARM SYSTEMS MUST INTEGRATE WITH THE EXISTING SYSTEM. • BEFORE CORING, PRE-TENSIONED OR POST-TENSIONED SLABS, GC MUST HIRE A THIRD-PARTY SCANNING COMPANY. REPORT MUST BE REVIEWED/APPROVED BY OWNER'S STRUCTURAL ENGINEER.
SITE AND ENVELOPE REQUIREMENTS:	• EXTERIOR FLOORWORK AROUND THE BUILDING MUST SLOPE AWAY AT A MINIMUM OF 2%. • UNLESS NOTED OTHERWISE, INTERIOR FLOORS MUST SLOPE 2% TOWARD DRAINS. • SEAL ALL EXTERIOR ENVELOPE PENETRATIONS TO PREVENT AIR/WATER LEAKAGE PER IBC REQUIREMENTS. • ALL EXTERIOR STRUCTURAL STEEL TO BE HOT-DIPPED GALVANIZED (ALL CUTTING, DRILLING, WELDING, OR BENDING COMPLETED PRIOR TO DIPPING).
CLOSEOUT AND OWNER RESPONSIBILITIES:	• GC TO TRAIN OWNER IN THE OPERATION AND MAINTENANCE OF INSTALLED PRODUCTS/EQUIPMENT. • PRIOR TO SUBSTANTIAL COMPLETION, CONTRACTOR SHALL CLEAN THE SITE AND DELIVER ALL REQUIRED WARRANTIES, LIEN WAIVERS, AND MAINTENANCE MANUALS. • OWNER IS RESPONSIBLE FOR WORK NOT SPECIFICALLY IDENTIFIED IN THE DRAWINGS. • ANY CHANGES INVOLVING ADDITIONAL COST OR TIME MUST BE APPROVED IN WRITING BY THE OWNER/ARCHITECT BEFORE CONSTRUCTION. • DETAILS ARE TYPICAL UNLESS NOTED OTHERWISE; APPLY THEM TO SIMILAR CONDITIONS THROUGHOUT THE PROJECT. • ANY FURNITURE SHOWN IS FOR REFERENCE ONLY.
HAZARDOUS MATERIALS:	• ARCHITECT IS NOT RESPONSIBLE FOR IDENTIFYING, HANDLING, OR ADDRESSING HAZARDOUS MATERIALS (E.G., ASBESTOS, PCBs, OR OTHER TOXIC SUBSTANCES).
MATERIALS:	• ANY UNSPECIFIED MATERIALS REQUIRED FOR PROPER INSTALLATION/PERFORMANCE SHALL BE PROVIDED BY THE CONTRACTOR.

4/A000 GENERAL NOTES



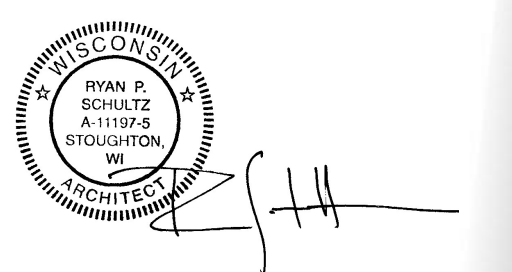
4/A000 PERSPECTIVE - 1



5/A000 PERSPECTIVE - 2



3/A000 PERSPECTIVE - 3



CODE INFORMATION
FK - BROOKFIELD
350 DISCOVERY DR, BROOKFIELD, WI 53045
A000

This project, like most OpeningDesign's projects, is open source (Attribution-ShareAlike 4.0 International--CC BY-SA 4.0)--freely available to any party for future use, assuming the terms such as Attribution and ShareAlike are honored.

C

C

B

B

A

A

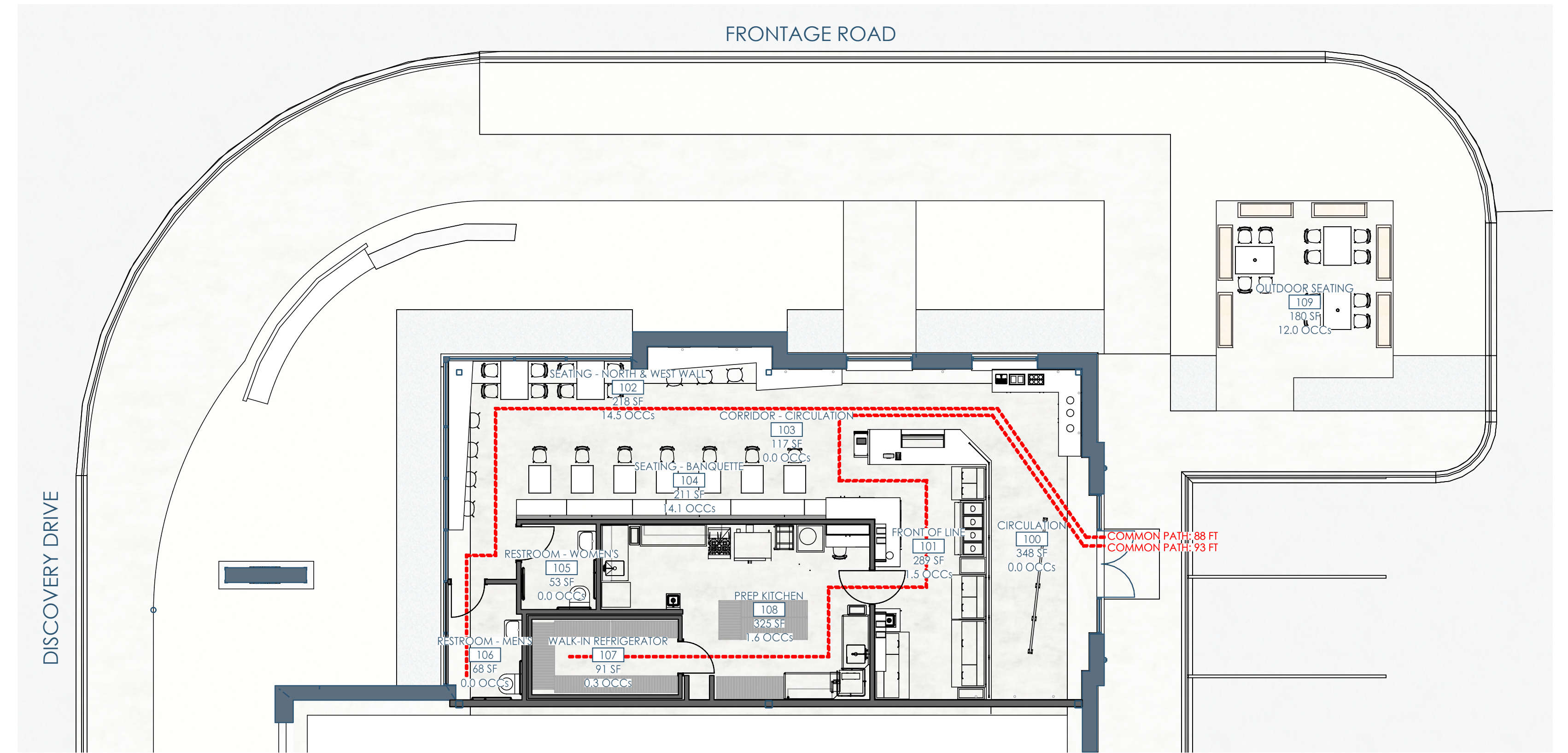
5

4

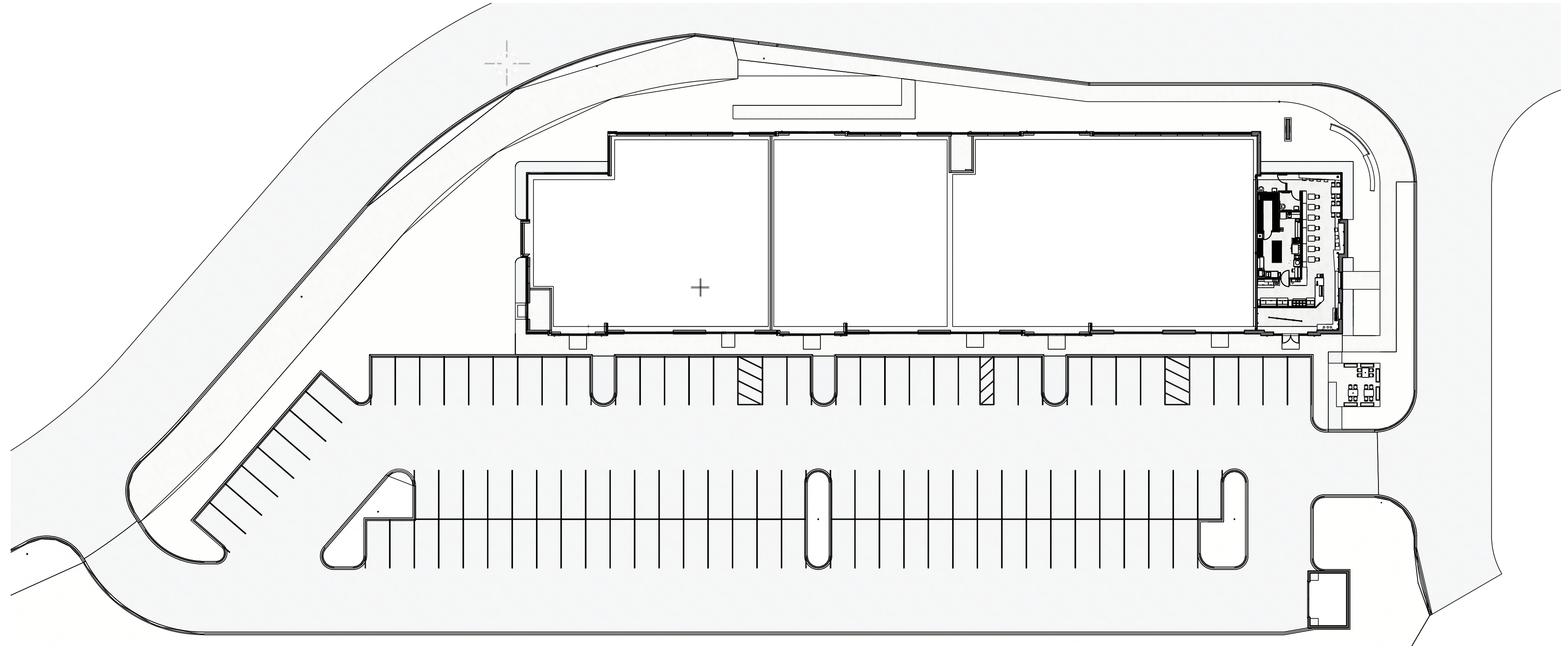
3

2

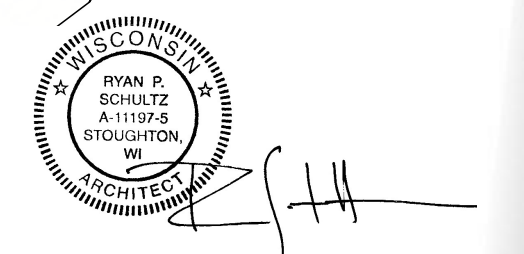
1



1/A001 SITE PLAN - IMMEDIATE
1/8"=1'-0"



2/A001 SITE PLAN - OVERALL
1"=30'



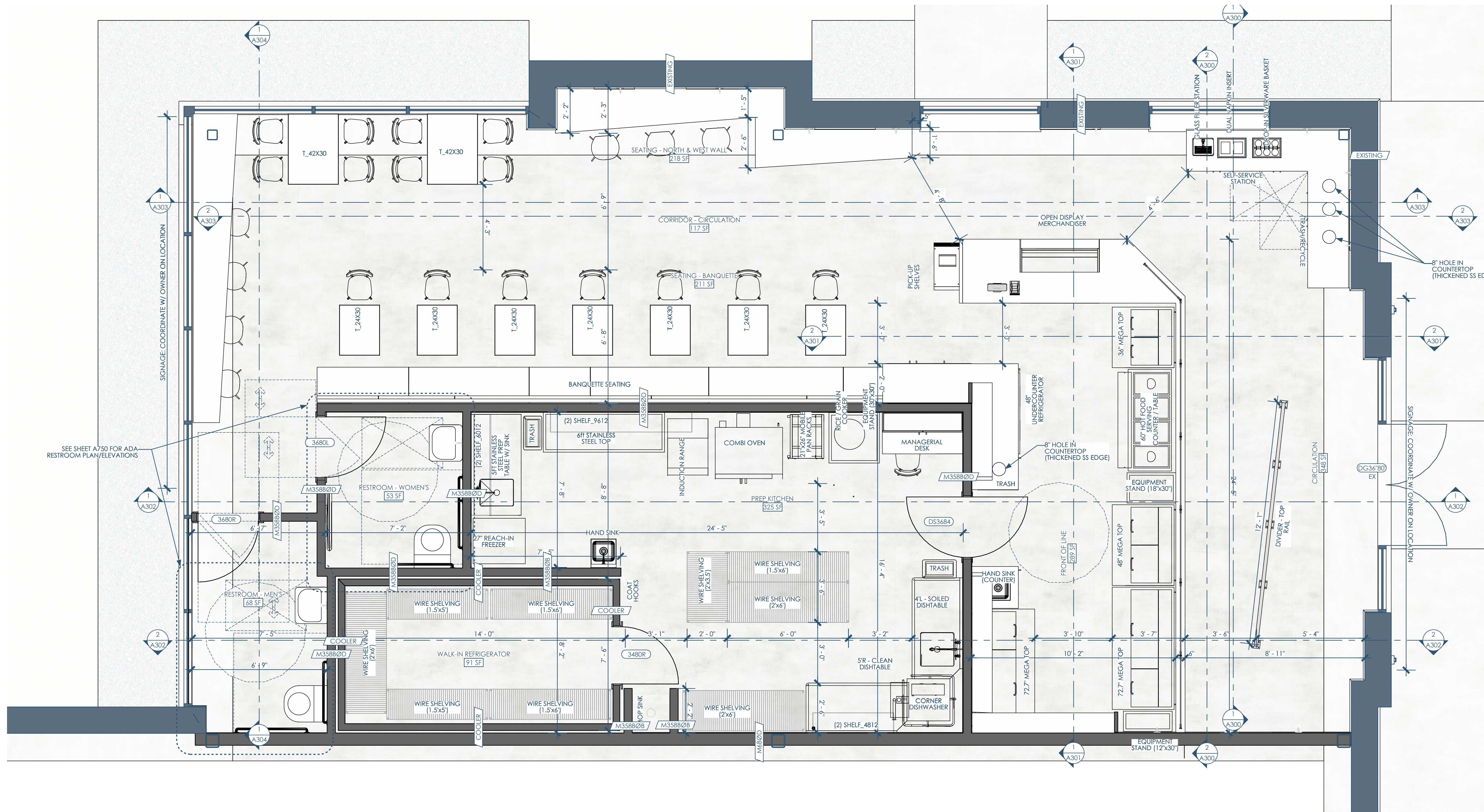
Owner: Forage Kitchen
5352 King James Way
Fitchburg, WI 53719
eatforage.com

Architect: Opening Design
17 S Fairchild | FL 7
Madison, WI 53703
ryan@openingdesign.com | 773.425.6456

SITE PLANS
FK - BROOKFIELD
350 DISCOVERY DR, BROOKFIELD, WI 53045

A001

This project, like most Opening Design's projects, is open source (Attribution-ShareAlike 4.0 International=CC-BY-SA 4.0) - freely available to any party for future use - assuming the terms such as Attribution and ShareAlike are honored.



1/A100 FLOOR PLAN - 1ST
3/8"=1'-0"

NUMBER	NAME	AREA	FUNCTION OF SPACE	AREA PER OCCUPANT	OCCUPANTS	EMERGENCY LIGHTING
100	CIRCULATION	348	CIRCULATION	0	0.00	Y
101	FRONT OF LINE	289	KITCHEN - COMMERCIAL	200	1.50	-
102	SEATING - NORTH & WEST WALL	218	ASSEMBLY - UNCONCENTRATED	14	14.50	Y
103	CORRIDOR - CIRCULATION	117	CIRCULATION	0	0.00	Y
104	SEATING - BANQUETTE	211	ASSEMBLY - UNCONCENTRATED	15	14.10	Y
105	RESTROOM - WOMENS	53	CIRCULATION	0	0.00	-
106	RESTROOM - MENS	68	CIRCULATION	0	0.00	-
107	WALK-IN REFRIGERATOR	91	STORAGE	300	0.30	-
108	PREP KITCHEN	325	KITCHEN - COMMERCIAL	200	1.60	-
	Sum:	1720			32	
109	OUTDOOR SEATING	180	ASSEMBLY - UNCONCENTRATED	15	12	-
	Sum:				44	

2/A100 ROOM SCHEDULE - OCCUPANCY



Owner: Forage Kitchen
5352 King James Way
Fitchburg, WI 53719
eatforage.com

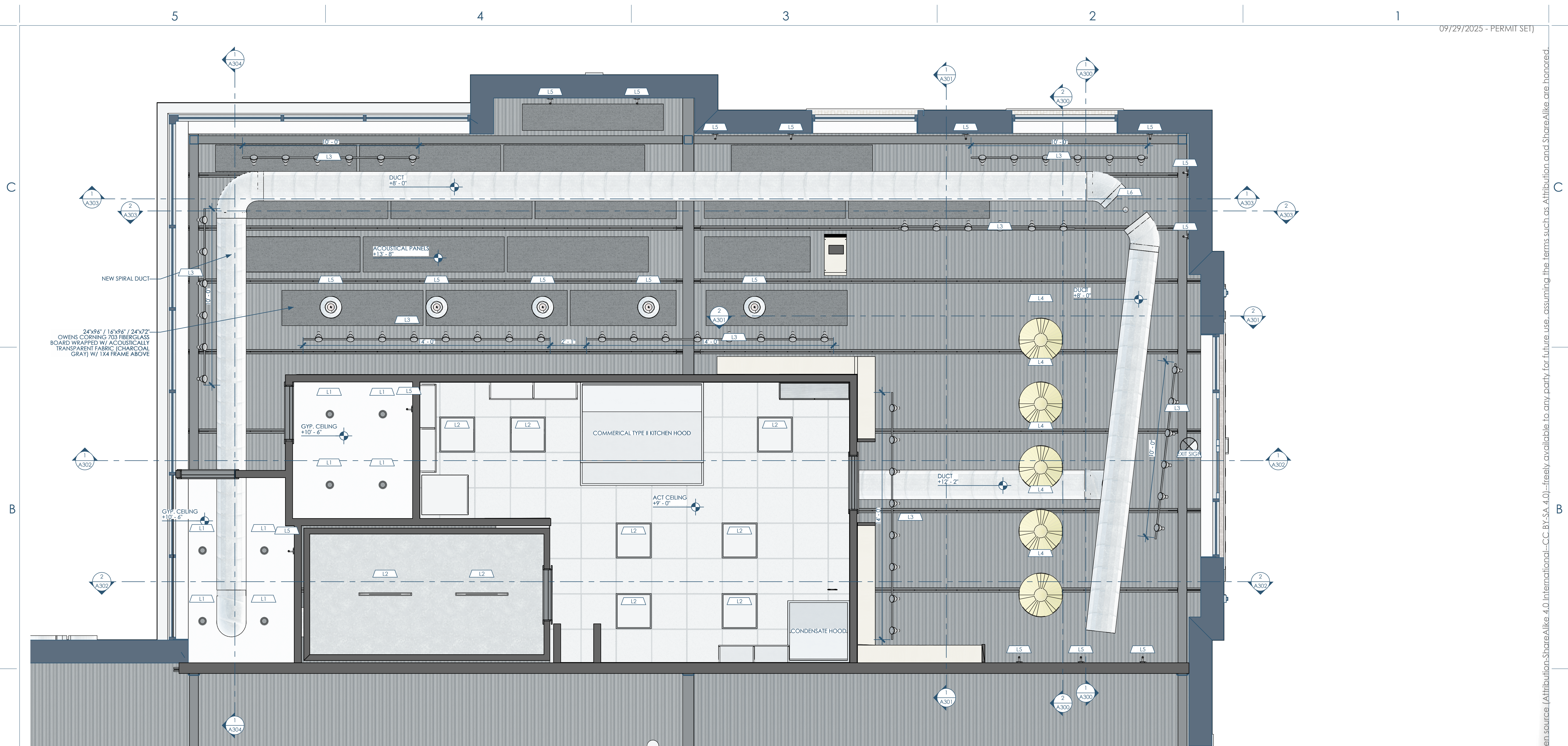
Architect: Opening Design
17 S Fairchild | FL 7
Madison, WI 53703
ryan@openingdesign.com | 773.425.6456



FLOOR PLAN - 1ST
FK - BROOKFIELD
350 DISCOVERY DR, BROOKFIELD, WI 53045

A100

This project, like most Opening Design's projects, is open source (Attribution-ShareAlike 4.0 International - CC BY-SA 4.0) - freely available to any party for future use... assuming the terms such as Attribution and ShareAlike are honored.



1/A150 1ST FLR RCP
3/8"=1'-0"

MARK	TYPE	MANUFACTURER	MODEL	DESCRIPTION	TYPE COMMENTS	URL
L1	CAN LIGHT	LITHONIA	LDN4	4" W BRUSH ALUM TRIM	-	http://lityurl.com/5ctawayb
L2	2X2 LED FLAT PANEL	LITHONIA	CPX 2X2 3200LM 80 CRI 30K SWL MINI0	-	-	https://lityurl.com/3ywwau65
L3	TRACK LIGHTING	JUNO LIGHTING	T620	BLACK	HEAD PER 2FT (SEE PLANS FOR LENGTH OF TRACK)	https://lityurl.com/3wmsxuf
L4	PENDANT	STUFF BY ANDREW NEYER	DUNE LIGHT - 30"	DESERT	w/ G40 WHITE BULB	https://lityurl.com/2xehak7
L5	WALL SCONCE	STUFF BY ANDREW NEYER	PIPE LIGHT	BLACK	w/ G25 WHITE BULB	https://lityurl.com/3dxuause
L6	PENDANT	PHILIPS HUE	4667577551	BLACK	w/ G40 WHITE BULB	https://lityurl.com/2a3w9eec

2/A150 LIGHTING SCHEDULE

LIGHTING NOTES:

- ALL BULBS AS CLOSE TO 3000K (COLOR TEMP.) AS POSSIBLE
- ALL BULBS TO BE LED
- EMERGENCY ILLUMINATION PER IBC 1008 (CONTRACTOR/ELECTRICIAN TO ASSURE THE FOLLOWING)
 - SEE OCCUPANCY ROOM SCHEDULE FOR THOSE SPACES THAT NEED EMERGENCY LIGHTING AS WELL
 - EMERGENCY LIGHTING TO BE A MINIMUM 1 FOOT CANDLE THROUGHOUT DESIGNATED SPACES
 - THE EMERGENCY POWER SYSTEM SHALL PROVIDE POWER FOR A DURATION OF NOT LESS THAN 90 MINUTES AND SHALL CONSIST OF STORAGE BATTERIES, UNIT EQUIPMENT OR AN ON-SITE GENERATOR
 - EXIT SIGNS SHALL BE INTERNALLY OR EXTERNALLY ILLUMINATED PER IBC 1013.3
- IF THE AUTHORITY HAVING JURISDICTION (AHJ) REQUIRES IT, THE ELECTRICAL CONTRACTOR MUST SUBMIT PLANS TO DEMONSTRATE COMPLIANCE WITH EMERGENCY LIGHTING AND ENERGY CODE REQUIREMENTS. THE CONTRACTOR NEEDS TO PROVIDE THE ARCHITECT WITH COPIES OF ALL APPROVAL LETTERS.

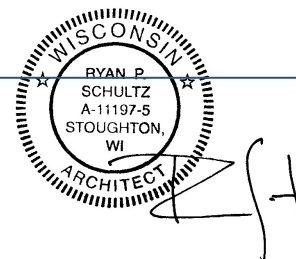
3/A150 LIGHTING NOTES



openingdesign

Owner: Forage Kitchen
5352 King James Way
Fitchburg, WI 53719
eafforage.com

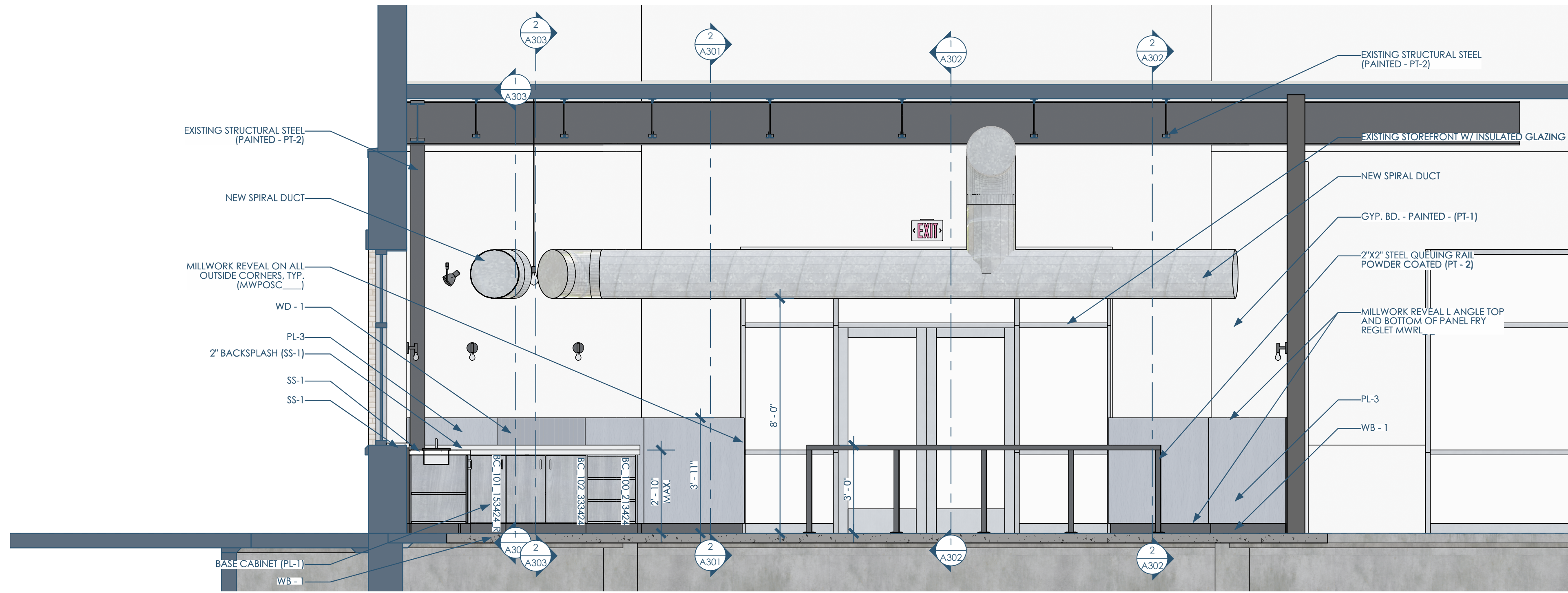
Architect: OpeningDesign
17 S Fairchild | FL 7
Madison, WI 53703
ryan@openingdesign.com | 773.425.6456



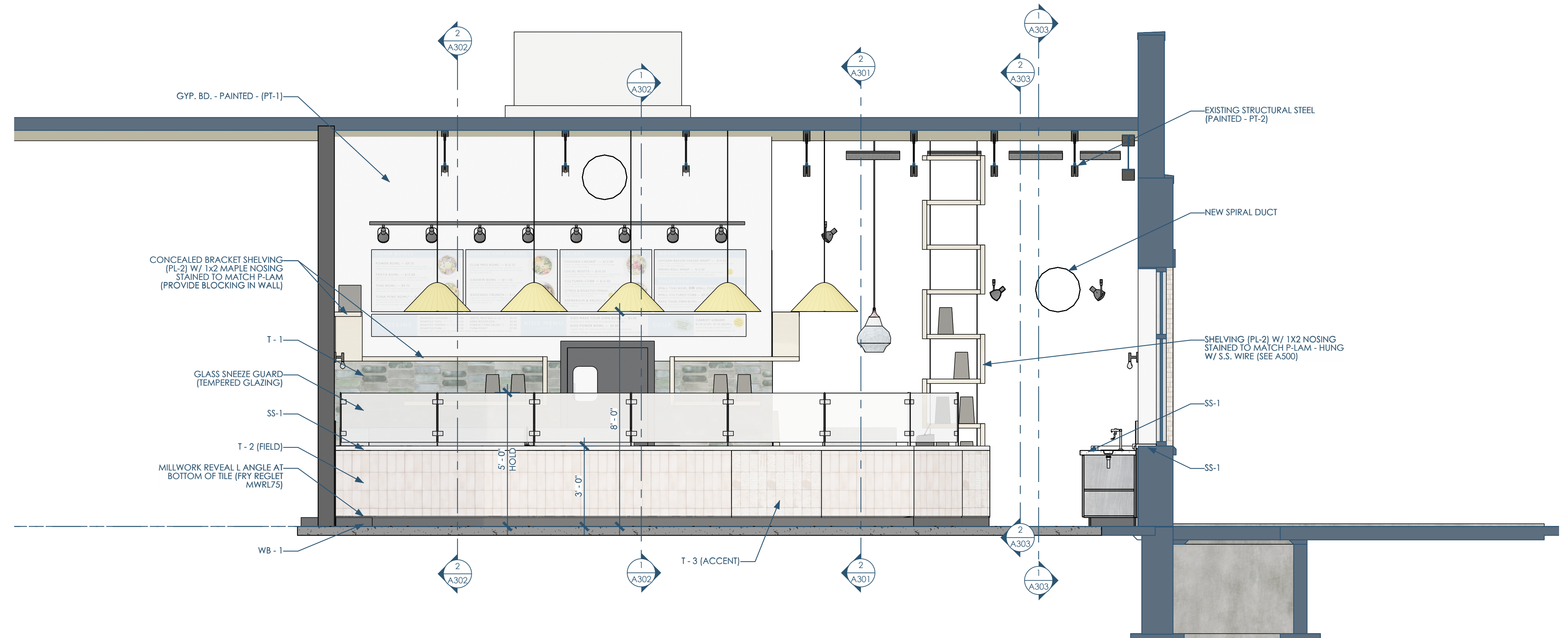
REFLECTED CEILING PLAN
FK - BROOKFIELD
350 DISCOVERY DR, BROOKFIELD, WI 53045

A150

This project, like most OpeningDesign's projects, is open source (Attribution-ShareAlike 4.0 International - CC BY-SA 4.0) - freely available to any party for future use... assuming the terms such as Attribution and ShareAlike are honored.



1/A300 SECTION - IN-FRONT OF LINE - LOOKING EAST
3/8"=1'-0"



2/A300 SECTION - IN-FRONT OF LINE - LOOKING WEST
3/8"=1'-0"



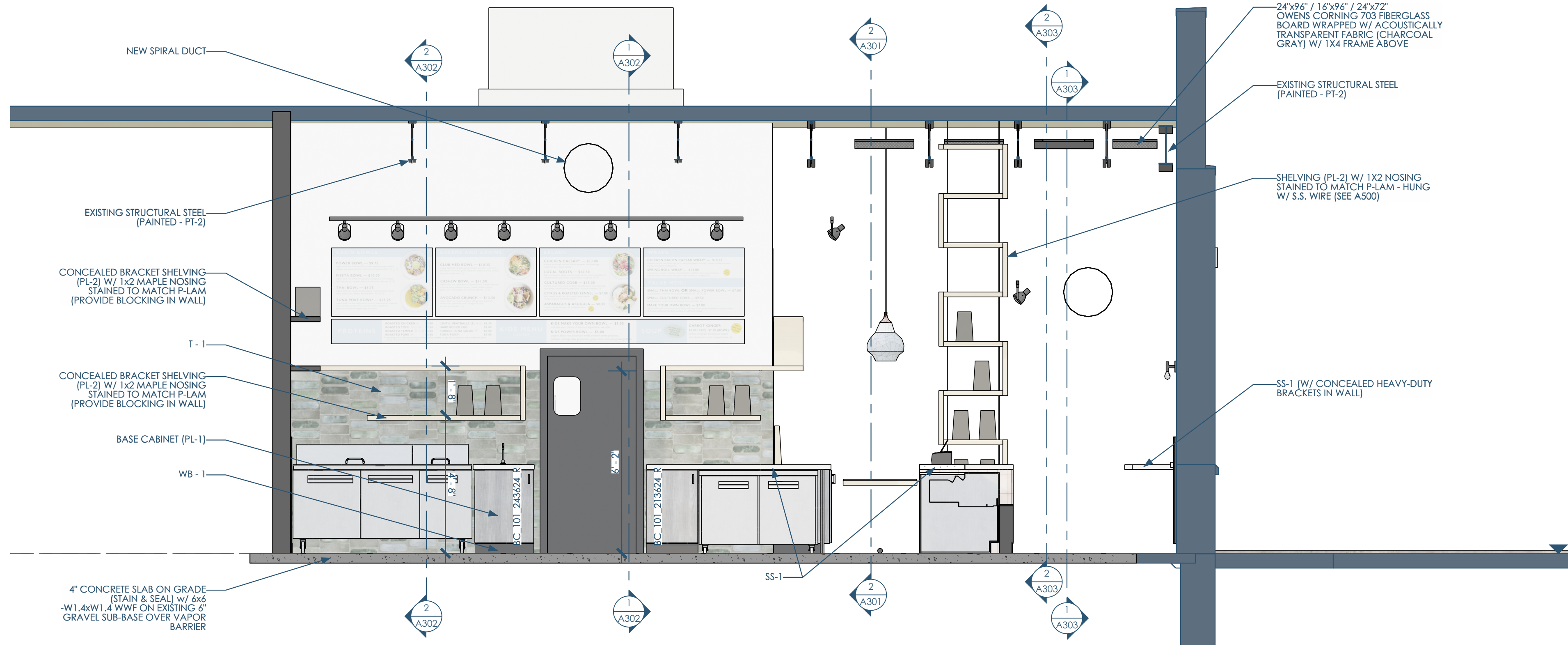
Owner: Forage Kitchen
5352 King James Way
Fitchburg, WI 53719
eatforage.com

Architect: OpeningDesign
17 S Fairchild | FL 7
Madison, WI 53703
ryan@openingdesign.com | 773.425.6456

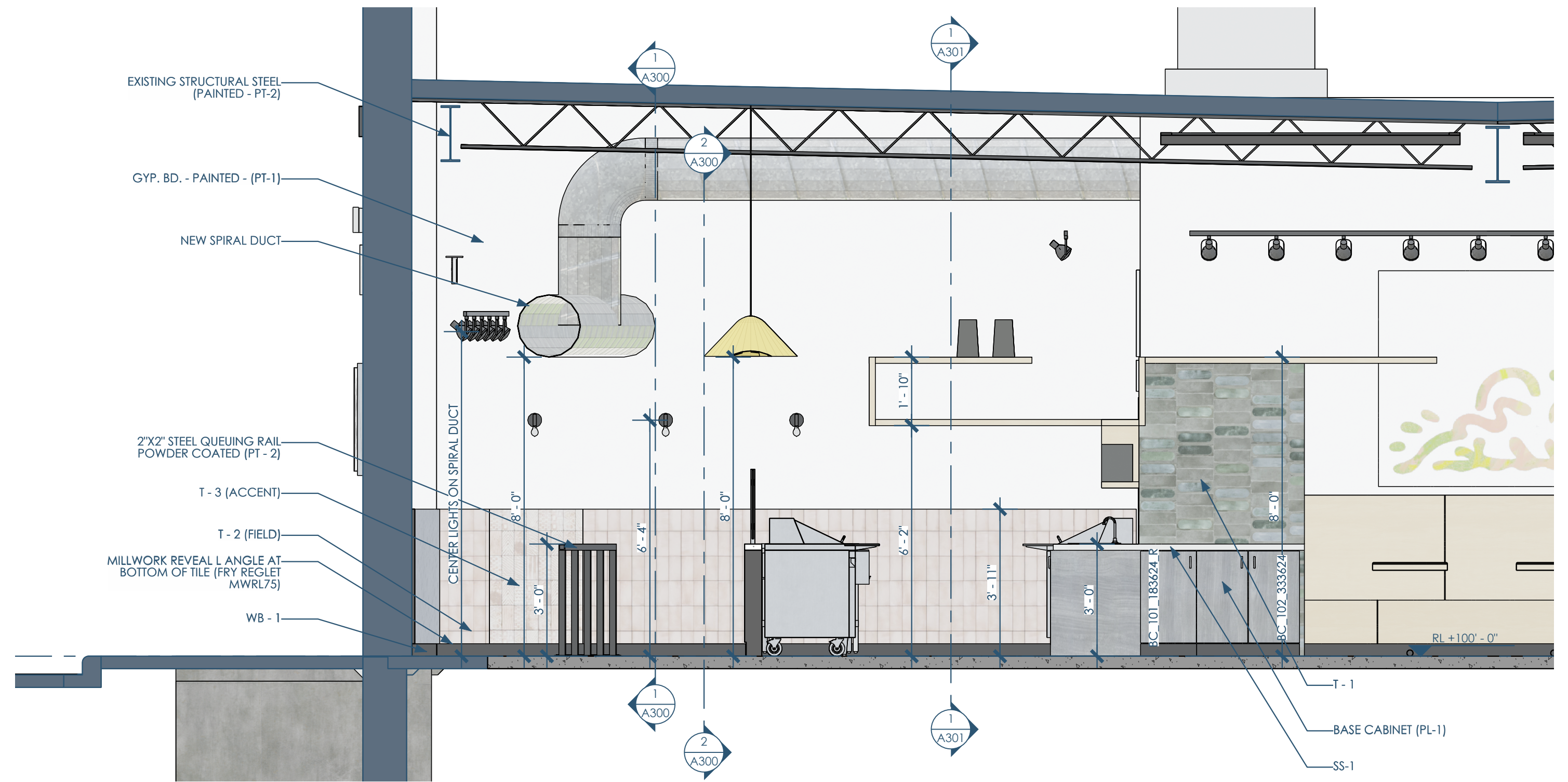


SECTIONS
FK - BROOKFIELD
350 DISCOVERY DR, BROOKFIELD, WI 53045
A300

This project, like most OpeningDesign's projects, is open source (Attribution-ShareAlike 4.0 International=CC-BY-SA 4.0)-freely available to any party for future use...assuming the terms such as Attribution and ShareAlike are honored.



1/A301 SECTION - BEHIND LINE - LOOKING WEST
3/8"=1'-0"

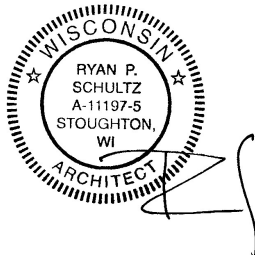


2/A301 SECTION - BEHIND POS - LOOKING SOUTH
3/8"=1'-0"



Owner: Forage Kitchen
5352 King James Way
Fitchburg, WI 53719
eatforage.com

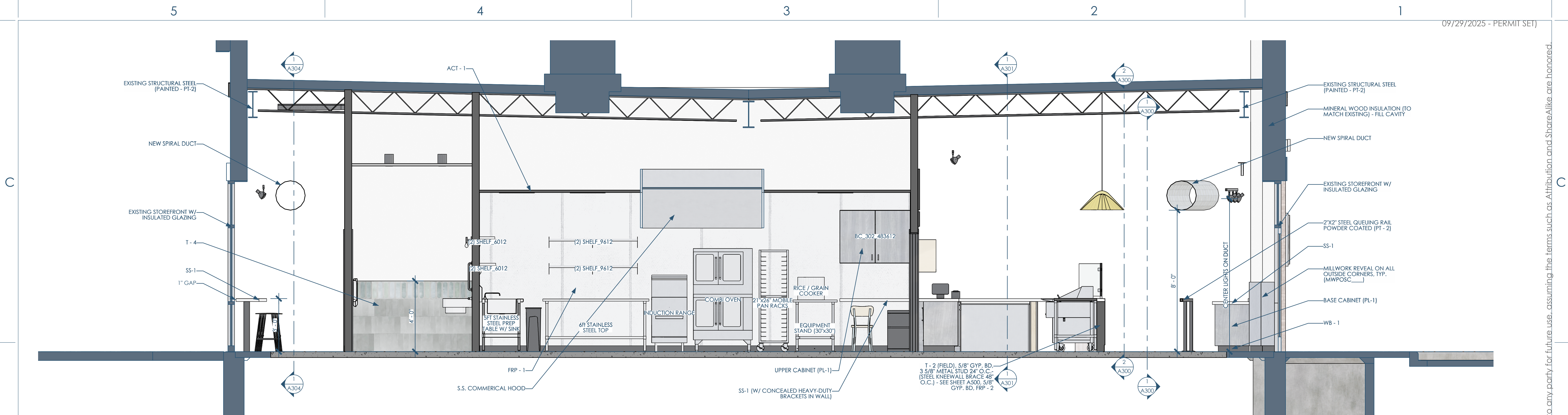
Architect: OpeningDesign
17 S Fairchild | FL 7
Madison, WI 53703
ryan@openingdesign.com | 773.425.6456



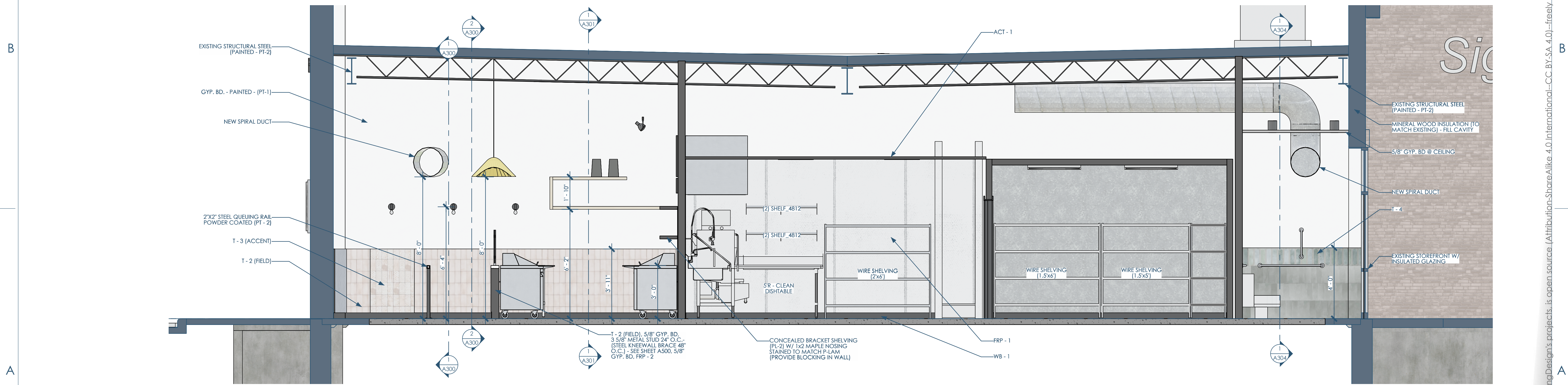
SECTIONS
FK - BROOKFIELD
350 DISCOVERY DR, BROOKFIELD, WI 53045

A301

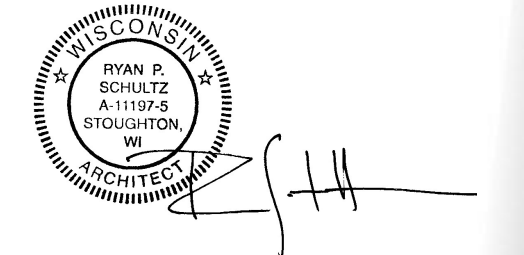
This project, like most OpeningDesign's projects, is open source (Attribution-ShareAlike 4.0 International=CC-BY-SA 4.0)=freely available to any party for future use...assuming the terms such as Attribution and ShareAlike are honored.



1/A302 SECTION - KITCHEN - LOOKING NORTH
3/8"=1'-0"



2/A302 SECTION - KITCHEN - LOOKING SOUTH
3/8"=1'-0"

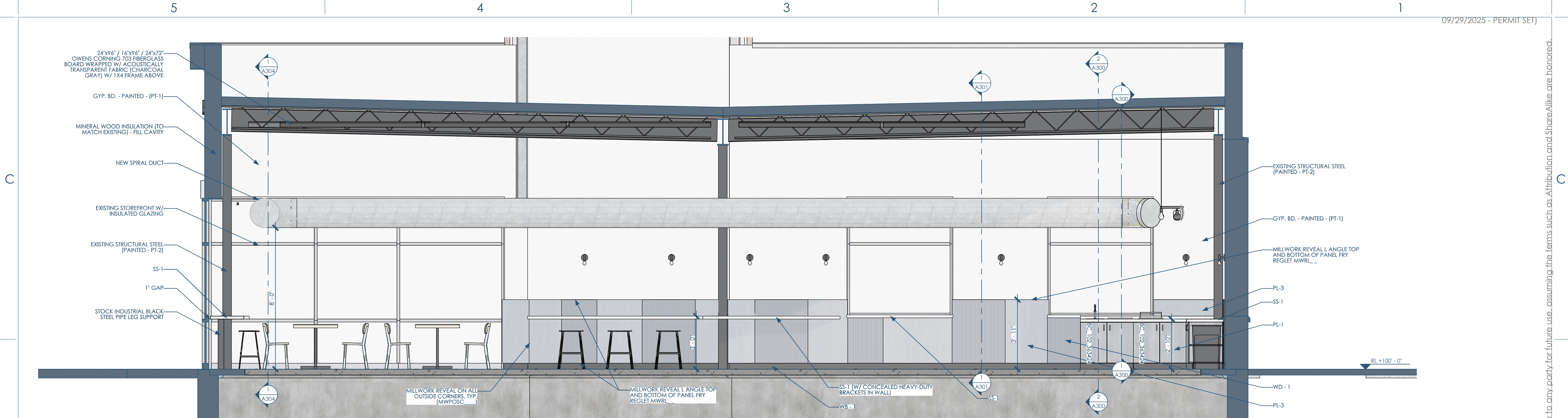


Owner: Forage Kitchen
5352 King James Way
Fitchburg, WI 53719
eatforage.com

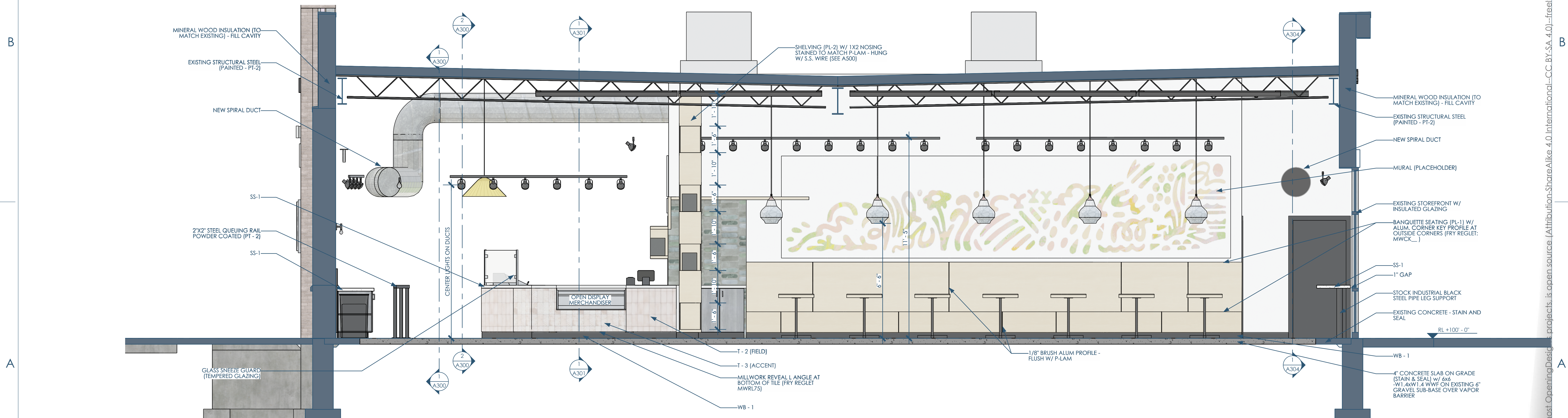
Architect: OpeningDesign
17 S Fairchild | FL 7
Madison, WI 53703
ryan@openingdesign.com | 773.425.6456

SECTIONS
FK - BROOKFIELD
350 DISCOVERY DR, BROOKFIELD, WI 53045
A302

This project, like most OpeningDesign's projects, is open source (Attribution-ShareAlike 4.0 International - CC BY-SA 4.0) - freely available to any party for future use, assuming the terms such as Attribution and ShareAlike are honored.



1/A303 SECTION - DINING - LOOKING NORTH
3/8"=1'-0"



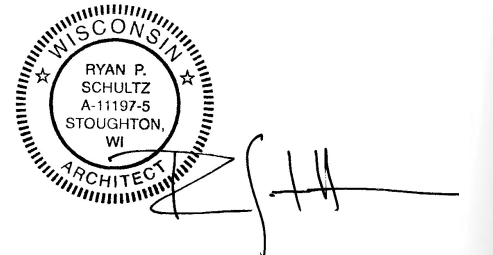
2/A303 SECTION - DINING - LOOKING SOUTH
3/8"=1'-0"



openingdesign

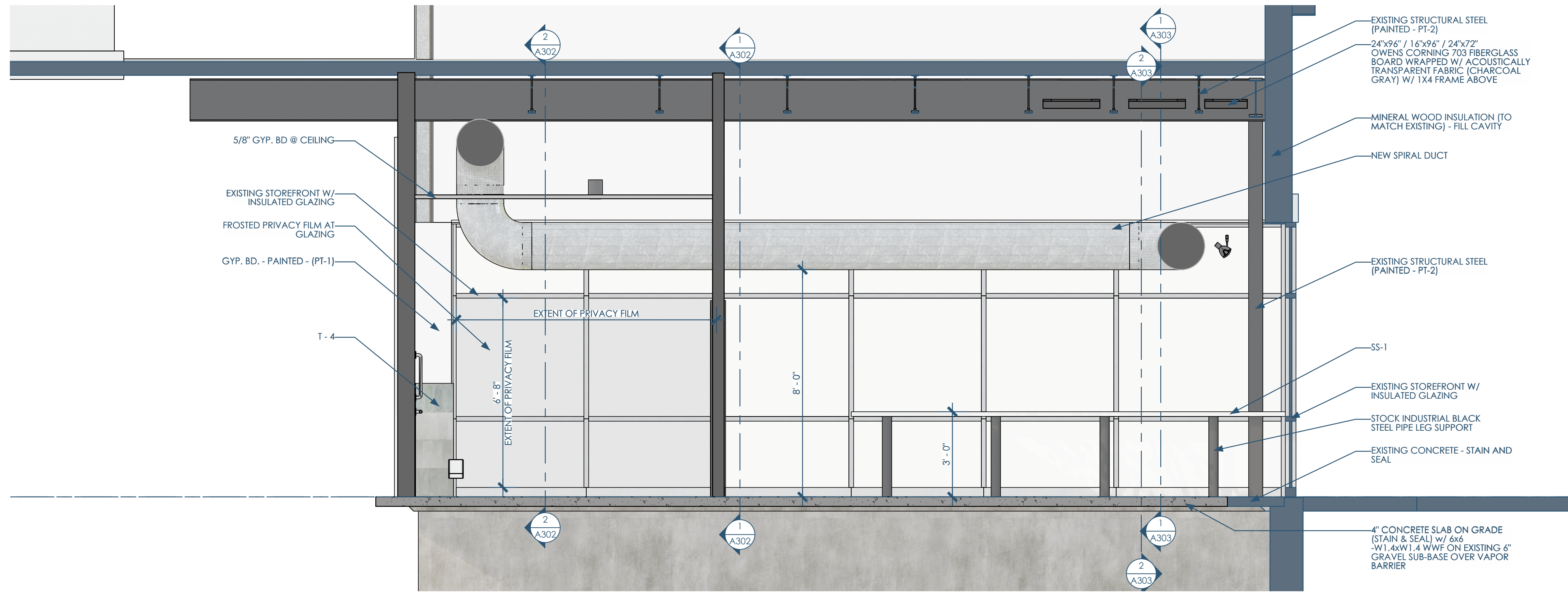
Owner: Forage Kitchen
5352 King James Way
Fitchburg, WI 53719
eatforage.com

Architect: Opening Design
17 S Fairchild | FL 7
Madison, WI 53703
ryan@openingdesign.com | 773.425.6456



SECTIONS
FK - BROOKFIELD
350 DISCOVERY DR, BROOKFIELD, WI 53045
A303

This project, like most Opening Design projects, is open source (Attribution-ShareAlike 4.0 International - CC BY-SA 4.0) - freely available to any party for future use, assuming the terms such as Attribution and ShareAlike are honored.



TYPE MARK	TYPE	WIDTH	HEIGHT	TYPE COMMENTS
3480R	WALK-IN COOLER DOOR	2' - 10"	6' - 8"	-
3680L	HOLLOW METAL FRAME / SOLID CORE DOOR	3'	6' - 8"	FRAME: PT-3 (SATIN), DOOR: PT-2 (SATIN)
3680R	HOLLOW METAL FRAME / SOLID CORE DOOR	3'	6' - 8"	FRAME: PT-3 (SATIN), DOOR: PT-2 (SATIN)
DS3684	ELIASON - P11 PLUS ABS TRAFFIC DOOR	3' - 6"	7'	METALLIC GRAY

3/A304 DOOR SCHEDULE - SIMPLE

1/A304 SECTION - RESTROOM - LOOKING WEST
3/8"=1'-0"

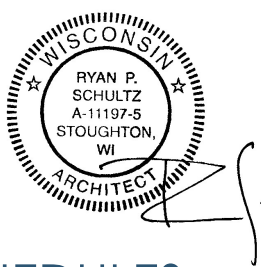
TYPE MARK	CATEGORY	MANUFACTURER	PRODUCT	COLOR	FINISH	LOCATION	NOTES	URL
ACT - 1	ACOUSTICAL TILE	ARMSTRONG	KITCHEN ZONE	TILE: WHITE, GRID: WHITE	-	PREP KITCHEN	WASHABLE	https://www.armstrongceilings.com/commercial/en/commercial-ceilings-walls/kitchen-zone-ceiling-files.html
CON-1	FLOORING FINISH	TBD	-	-	SEALED/COATED CONCRETE: NONABSORBENT/SMOOTH/CLEANABLE/SLIP-RESISTANT	-	STAIN TBD	-
FRP - 1	FIBREGLASS REINFORCED PLASTIC	TBD	-	WHITE	-	PREP AREAS	-	-
FRP - 2	FIBREGLASS REINFORCED PLASTIC	TBD	-	BLACK	-	BEHIND DIEWALL	-	-
PL-1	PLASTIC LAMINATE	FORMICA	8908	STORM TEAKWOOD	-	CABINETS	-	https://www.formica.com/en-us/products/cmpct/08908
PL-2	PLASTIC LAMINATE	NEVAMAR	WM2640	PLANETREE MAPLE	-	SHELVES & BANQUETTE SEATING	-	https://panoram.com/pattern-search/planetree-maple/
PL-3	PLASTIC LAMINATE	WILSONART	8239-38	CENIZO CHERRY	-	WAINSCOTT	-	https://www.wilsonart.com/cenizo-cherry-8239
PT - 1	PAINT	BENJAMIN MOORE	-	HAMPSHIRE ROCKS - 1450	EGGSHELL	FIELD PAINT	-	https://www.benjaminmoore.com/en-us/paint-colors/color/1450/hampshire-rocks
PT - 2	PAINT	BENJAMIN MOORE	-	TEMPTATION - 1609	SEMI-GLOSS (FOR FOOD CODE REASONS)	CEILING AND DOORS	WASHABLE/SCRUBBABLE PAINT FINISH (NOT GLOSSY, HOWEVER)	https://www.benjaminmoore.com/en-us/paint-colors/color/1609/temptation
PT - 3	PAINT	BENJAMIN MOORE	-	FRENCH BERET	SATIN	DOOR FRAMES	-	https://www.benjaminmoore.com/en-us/paint-colors/color/1610/french-beret
SS-1	SOLID SURFACE	CORIAN	-	SPARKLING WHITE	-	COUNTERS	-	https://coriandesignsamples.colors2u.net/product/corian-solid-surface-sparkling-white/
T - 1	TILE	IRIS CERAMICA	BLAZE	AVIO & DECOR AVIO	-	BEHIND EMPLOYEE LINE & RESTROOM	-	https://www.irisceramica.com/products/blaze/wall-coverings-decor-avio
T - 2 (FIELD)	TILE	TBD	-	-	-	FRONT-OF-HOUSE DIEWALL	AT PARTY WALL: ALUM. L-SHAPED EDGE PROFILE ALONG TOP	-
T - 3 (ACCENT)	TILE	TBD	-	-	-	FRONT-OF-HOUSE DIEWALL	-	-
T - 4	-	IRIS CERAMICA	BLAZE	FIELD: AVIO, TOP ACCENT: DECOR AVIO	-	RESTROOMS	ALUM. L-SHAPED EDGE PROFILE ALONG TOP	https://www.irisceramica.com/products/blaze
WB - 1	RESILIENT FLOORING	JOHNSONITE	4" VINYL WALL BASE W/ TOE	63 - BURNT UMBER B	-	SEE ELEVATIONS	-	https://www.floorcity.com/products/johnsonite-63-burnt-umber-vinyl-wall-base-4-inch-height
WD - 1	WOOD PANELING	SURFACING SOLUTIONS	PROFILE 478 (MAPLE)	STAIN TO MATCH PL - 3	-	WAINSCOTT	-	https://www.surfacing-solutions.com/wp-content/uploads/Tambour-Profile3.pdf

2/A304 FINISH KEY



Owner: Forage Kitchen
5352 King James Way
Fitchburg, WI 53719
eatforage.com

Architect: OpeningDesign
17 S Fairchild | FL 7
Madison, WI 53703
ryan@openingdesign.com | 773.425.6456

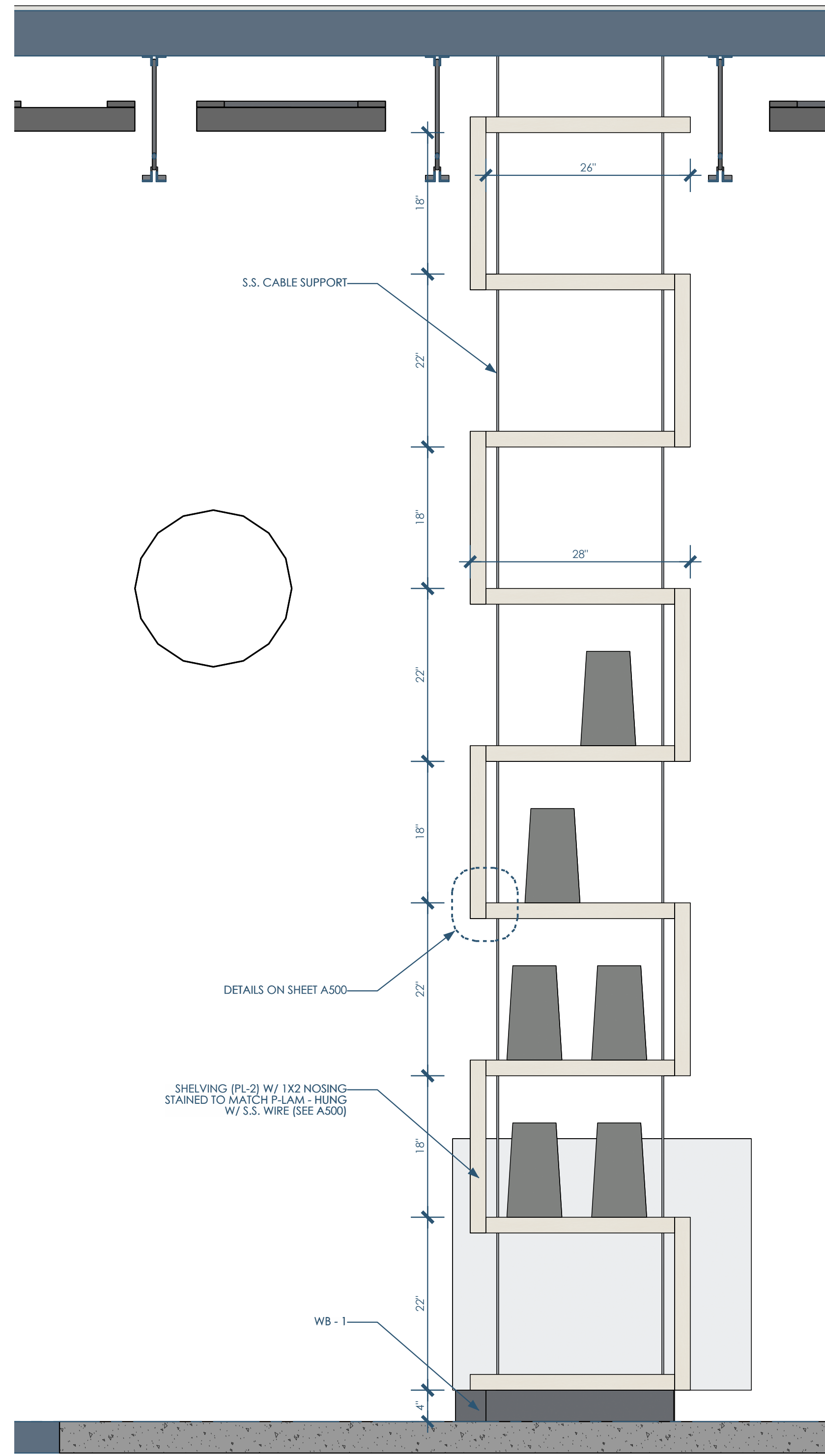


SECTIONS & SCHEDULES
FK - BROOKFIELD

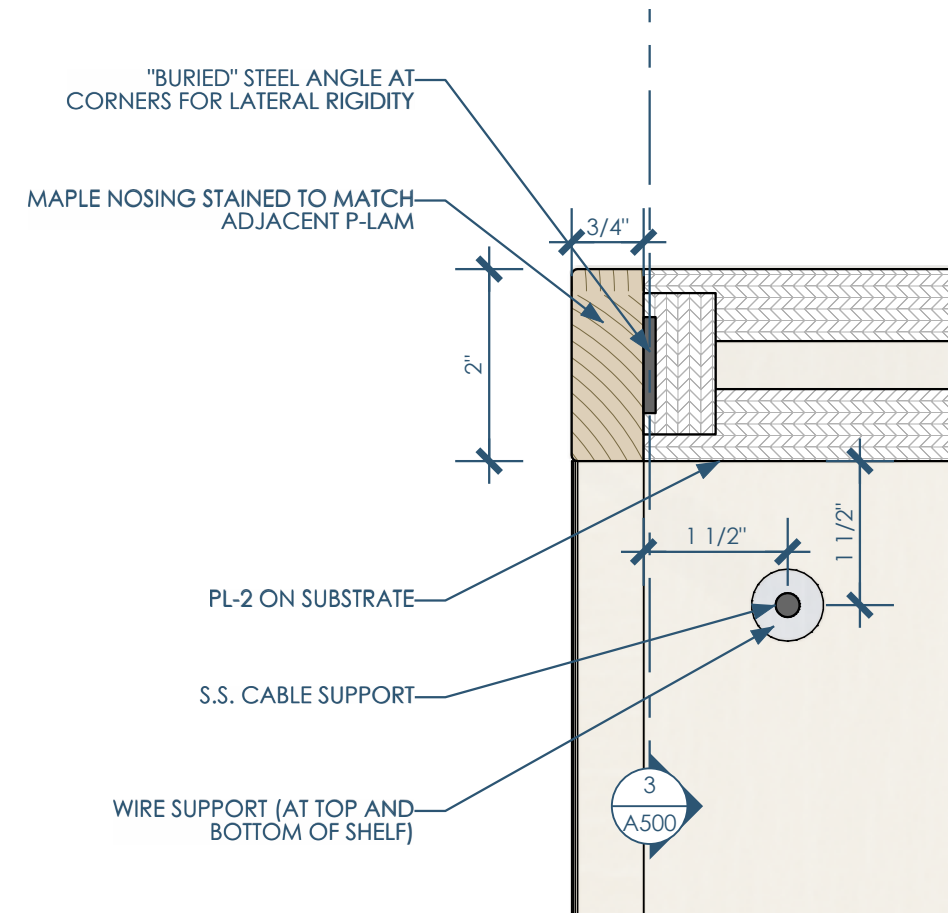
350 DISCOVERY DR, BROOKFIELD, WI 53045

A304

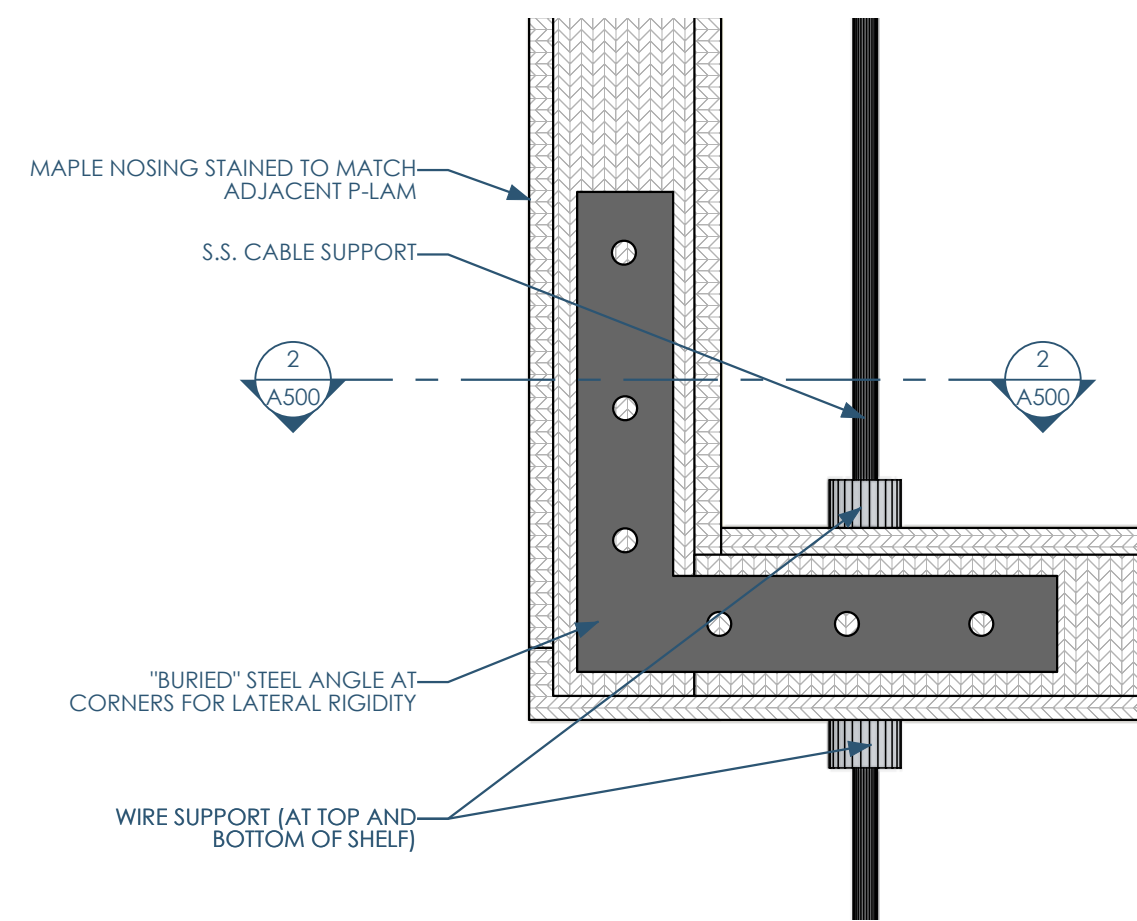
This project, like most OpeningDesign's projects, is open source (Attribution-ShareAlike 4.0 International - CC BY-SA 4.0) - freely available to any party for future use... assuming the terms such as Attribution and ShareAlike are honored.



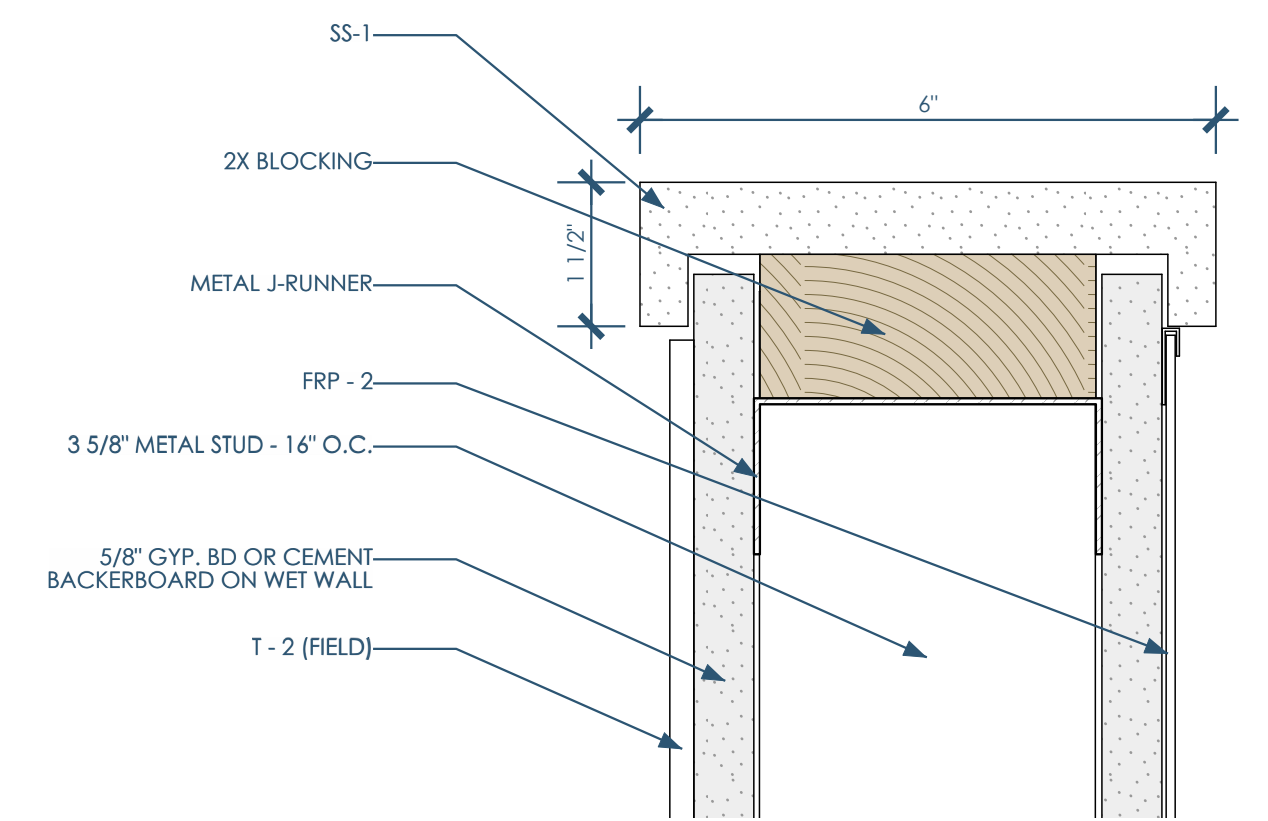
1/A500 ENLARGED ELEVATION - HANGING SHELVES
1"=1'-0"



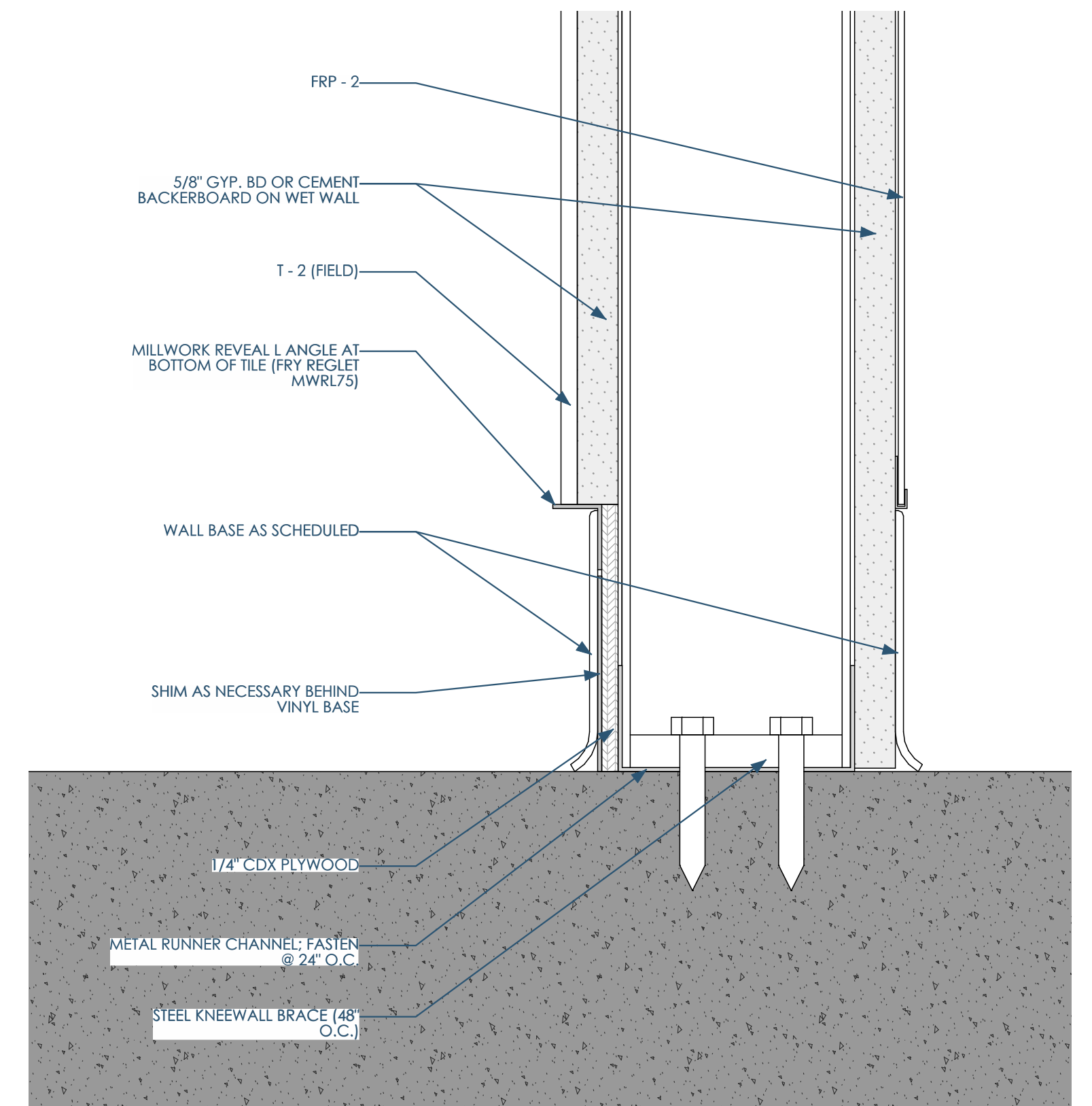
2/A500 DETAIL - PLAN - HANGING SHELF
6"=1'-0"



3/A500 DETAIL - SECTION - HANGING SHELF
6"=1'-0"



4/A500 DETAIL - SECTION - DIEWALL HEAD
6"=1'-0"

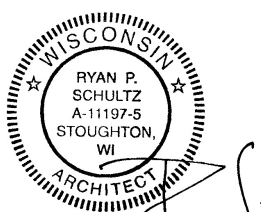


5/A500 DETAIL - SECTION - DIEWALL BASE
6"=1'-0"



Owner: Forage Kitchen
5352 King James Way
Fitchburg, WI 53719
eafforage.com

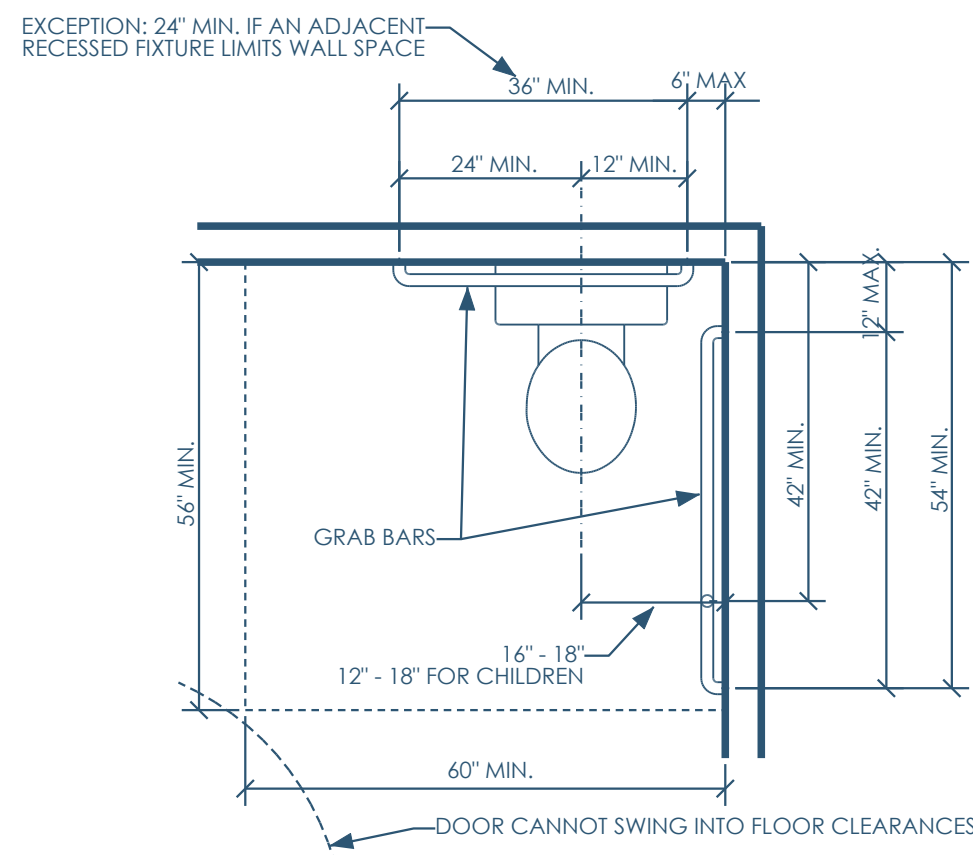
Architect: OpeningDesign
17 S Fairchild | FL 7
Madison, WI 53703
ryan@openingdesign.com | 773.425.6456



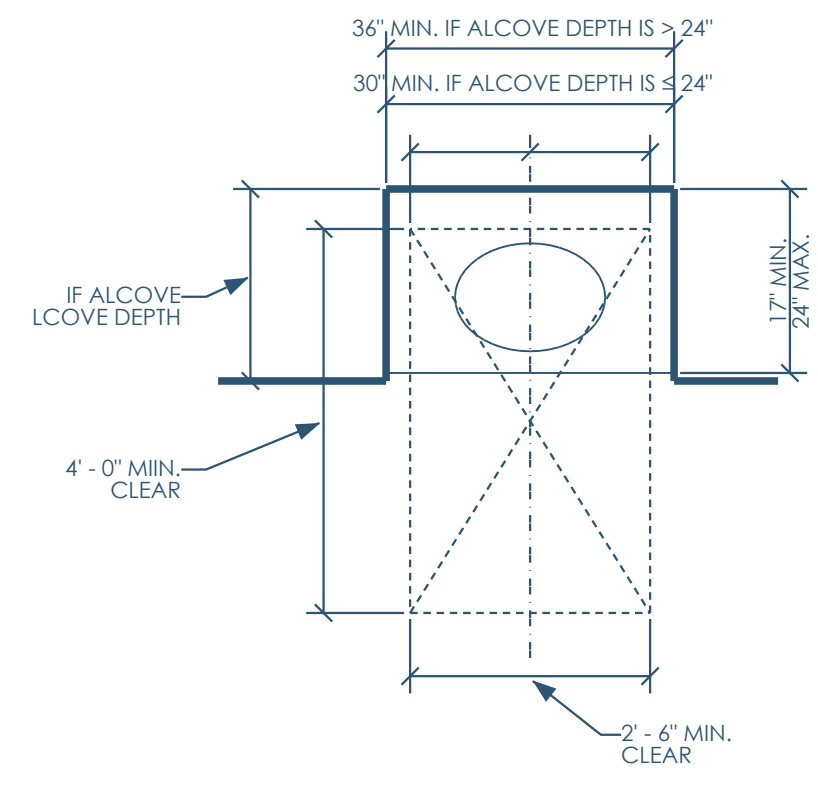
DETAILS
FK - BROOKFIELD
350 DISCOVERY DR, BROOKFIELD, WI 53045

A500

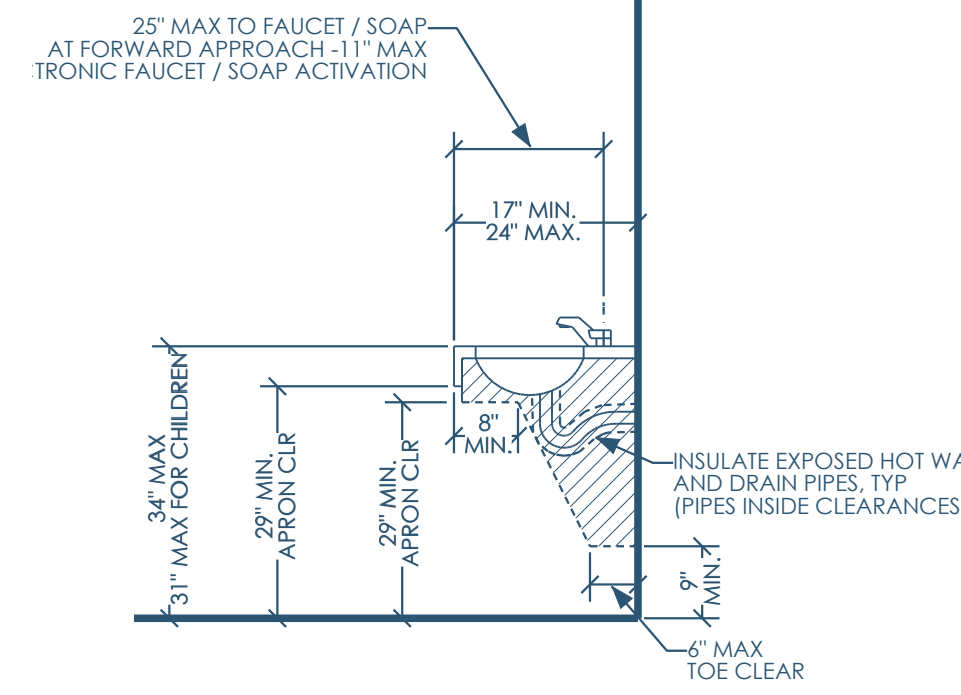
This project, like most OpeningDesign's projects, is open source (Attribution-ShareAlike 4.0 International - CC BY-SA 4.0) - freely available to any party for future use, assuming the terms such as Attribution and ShareAlike are honored.



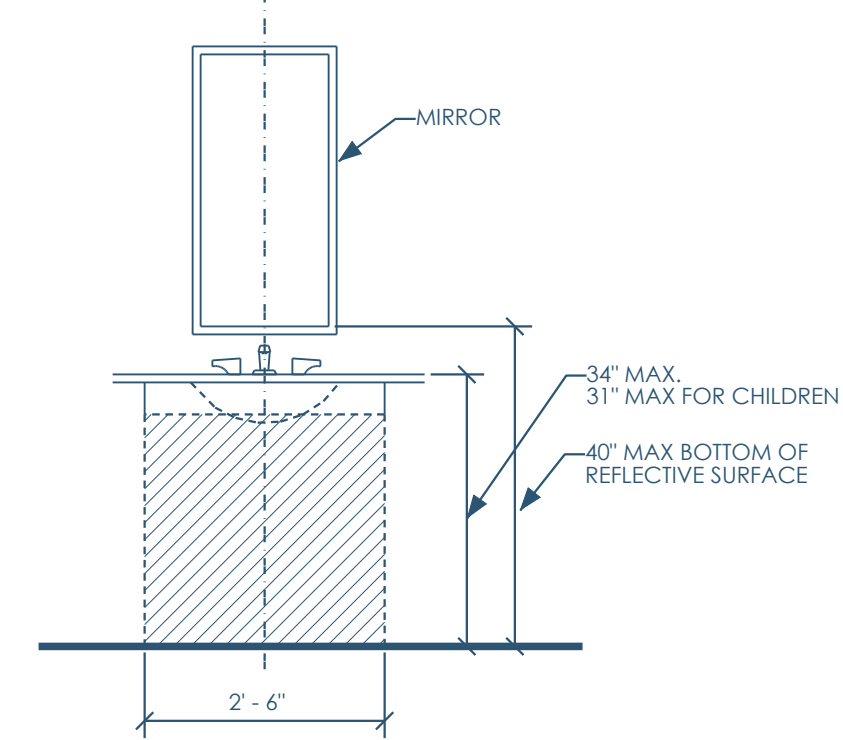
5C/A750 ADA - WATER CLOSET - FLOOR PLAN
1/2"=1'-0"



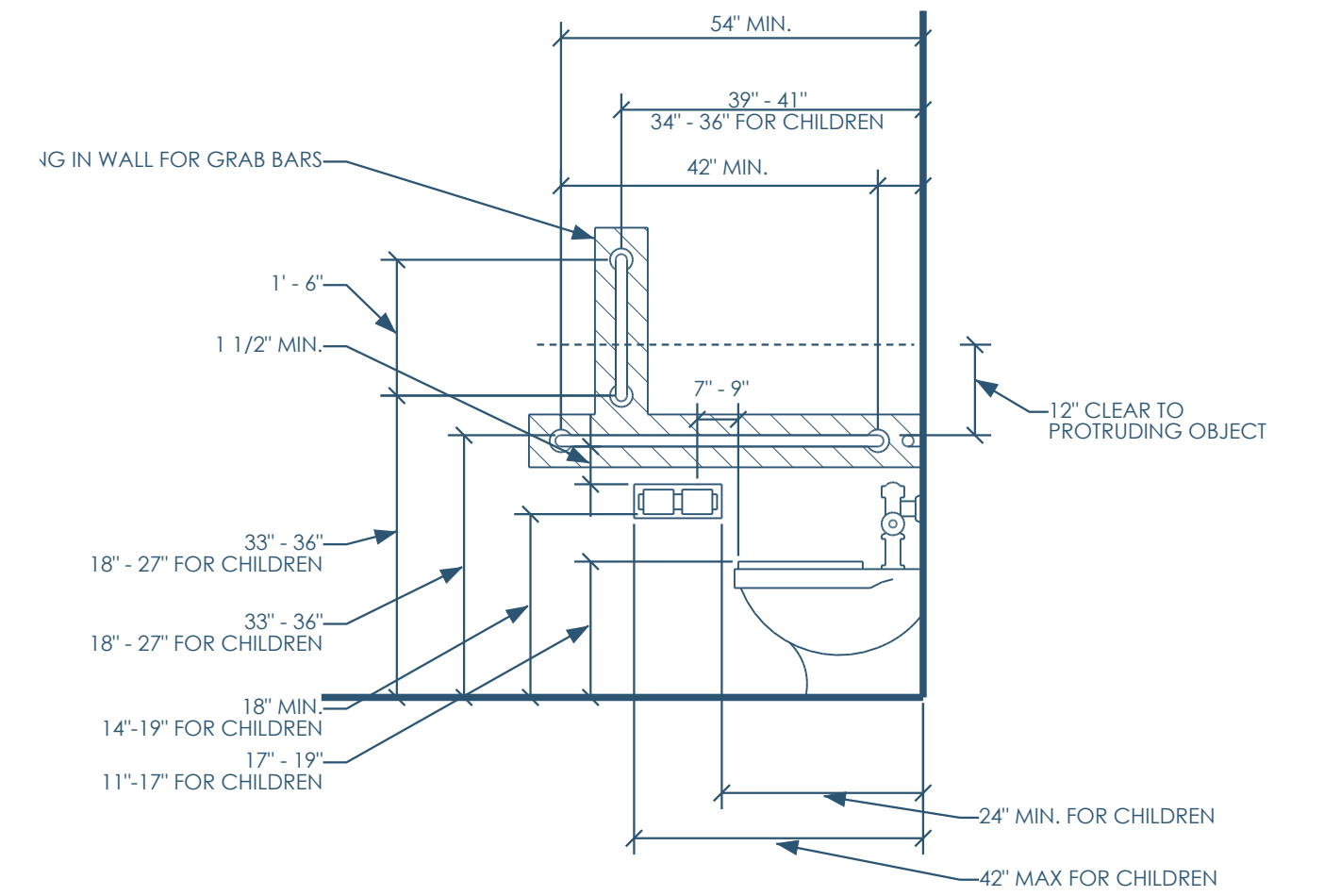
4C/A750 ADA - LAVATORY - PLAN
1/2"=1'-0"



3C/A750 ADA - LAVATORY - SIDE
1/2"=1'-0"



2C/A750 ADA - LAVATORY - FRONT
1/2"=1'-0"

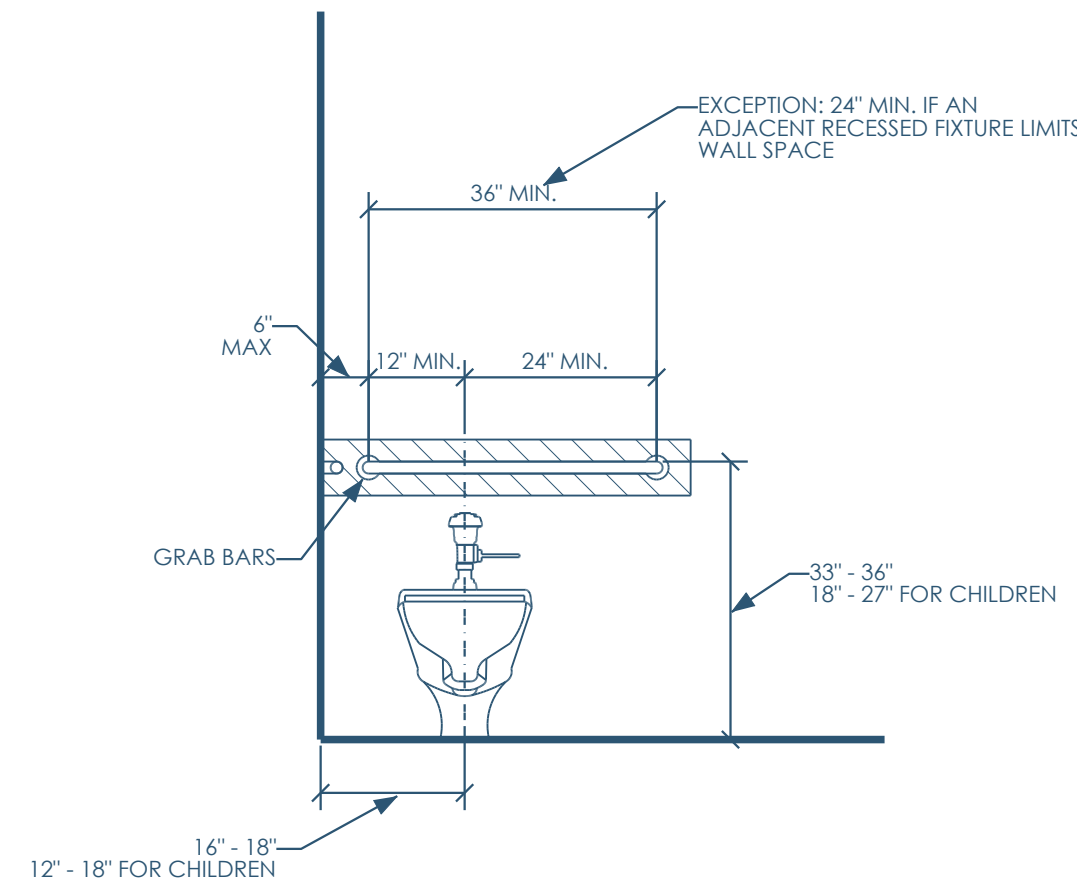


1C/A750 ADA - WATER CLOSET - SIDE
1/2"=1'-0"

GENERAL RESTROOM NOTES

- PER IBC 210.2.2 WALLS AND PARTITIONS WITHIN 2 FEET (610MM) OF SERVICE SINKS, URINALS AND WATER CLOSETS SHALL HAVE A SMOOTH, HARD, NONABSORBENT SURFACE TO A HEIGHT OF NOT LESS THAN 4 FEET (1219 MM) ABOVE THE FLOOR, AND EXCEPT FOR STRUCTURAL ELEMENTS, THE MATERIAL USED IN SUCH WALLS SHALL BE OF A TYPE THAT IS NOT ADVERSELY AFFECTED BY MOISTURE.
- 210.2.1 FLOORS AND WALL BASES IN OTHER THAN DWELLING UNITS, TOILET, BATHING AND SHOWER ROOM FLOOR FINISH MATERIALS SHALL HAVE A SMOOTH, HARD, NONABSORBENT SURFACE. THE INTERSECTIONS OF SUCH FLOORS WITH WALLS SHALL HAVE A SMOOTH, HARD, NONABSORBENT VERTICAL BASE THAT EXTENDS UPWARD ONTO THE WALLS NOT LESS THAN 4 INCHES (102 MM).
- 210.2.3 SHOWERS SHOWER COMPARTMENTS AND WALLS ABOVE BATHTUBS WITH INSTALLED SHOWER HEADS SHALL BE FINISHED WITH A SMOOTH, NONABSORBENT SURFACE TO A HEIGHT NOT LESS THAN 72 INCHES (1829 MM) ABOVE THE DRAIN INLET.

1A/A750 GENERAL RESTROOM NOTES

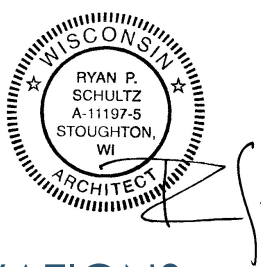


5B/A750 ADA - WATER CLOSET - FRONT
1/2"=1'-0"



Owner: Forage Kirchen
5352 King James Way
Fitchburg, WI 53719
eatforage.com

Architect: OpeningDesign
17 S Fairchild | FL 7
Madison, WI 53703
ryan@openingdesign.com | 773.425.6456

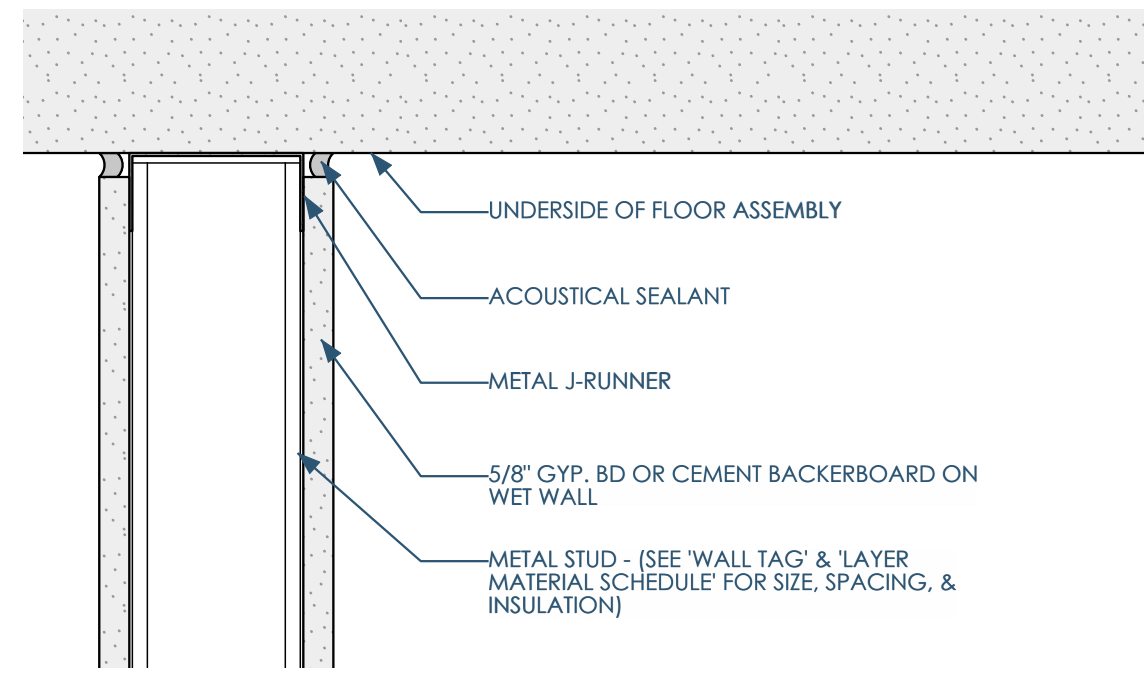


Handwritten signature of Ryan P. Schilz.

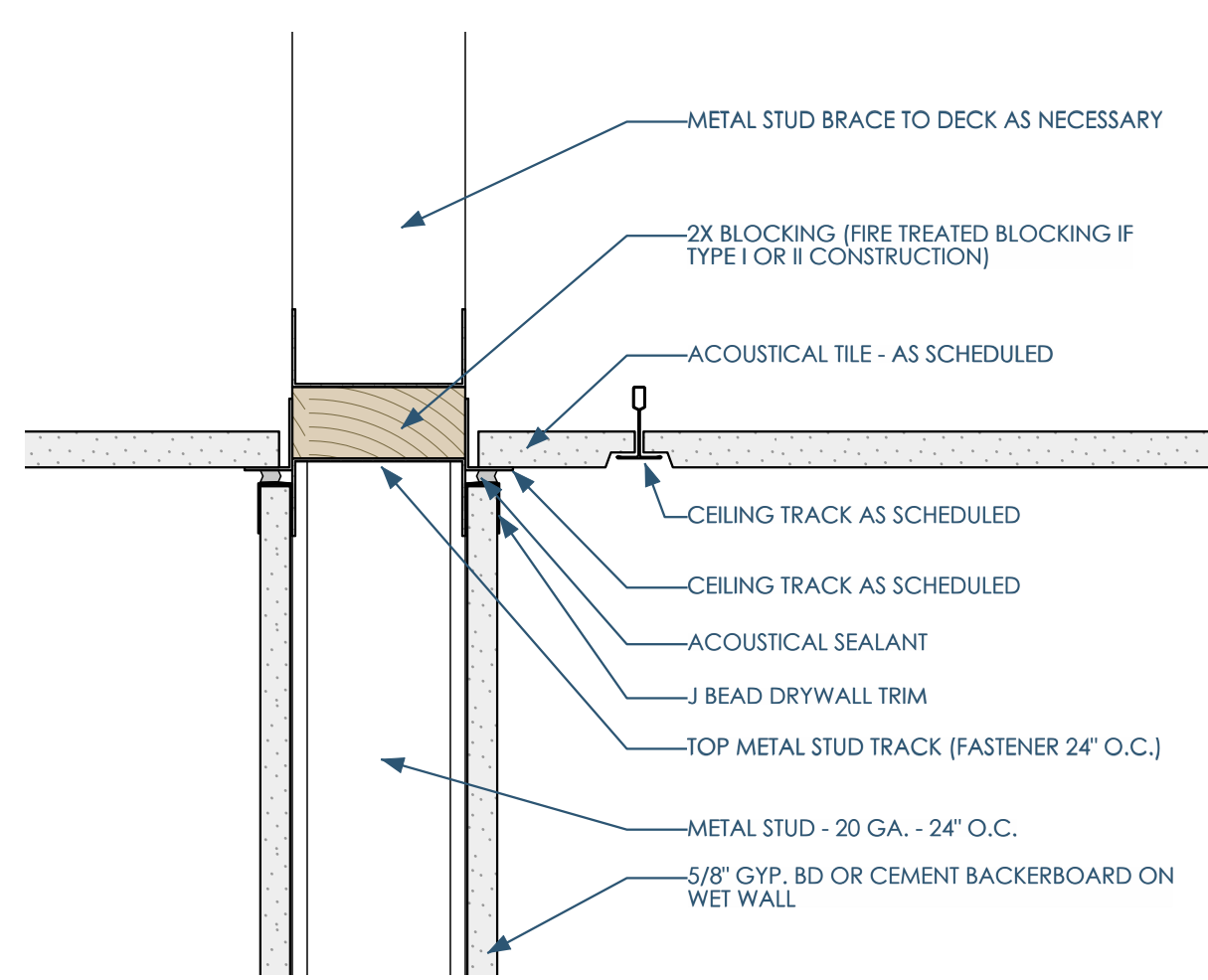
ADA RESTROOM PLAN AND ELEVATIONS
FK - BROOKFIELD
350 DISCOVERY DR, BROOKFIELD, WI 53045

A750

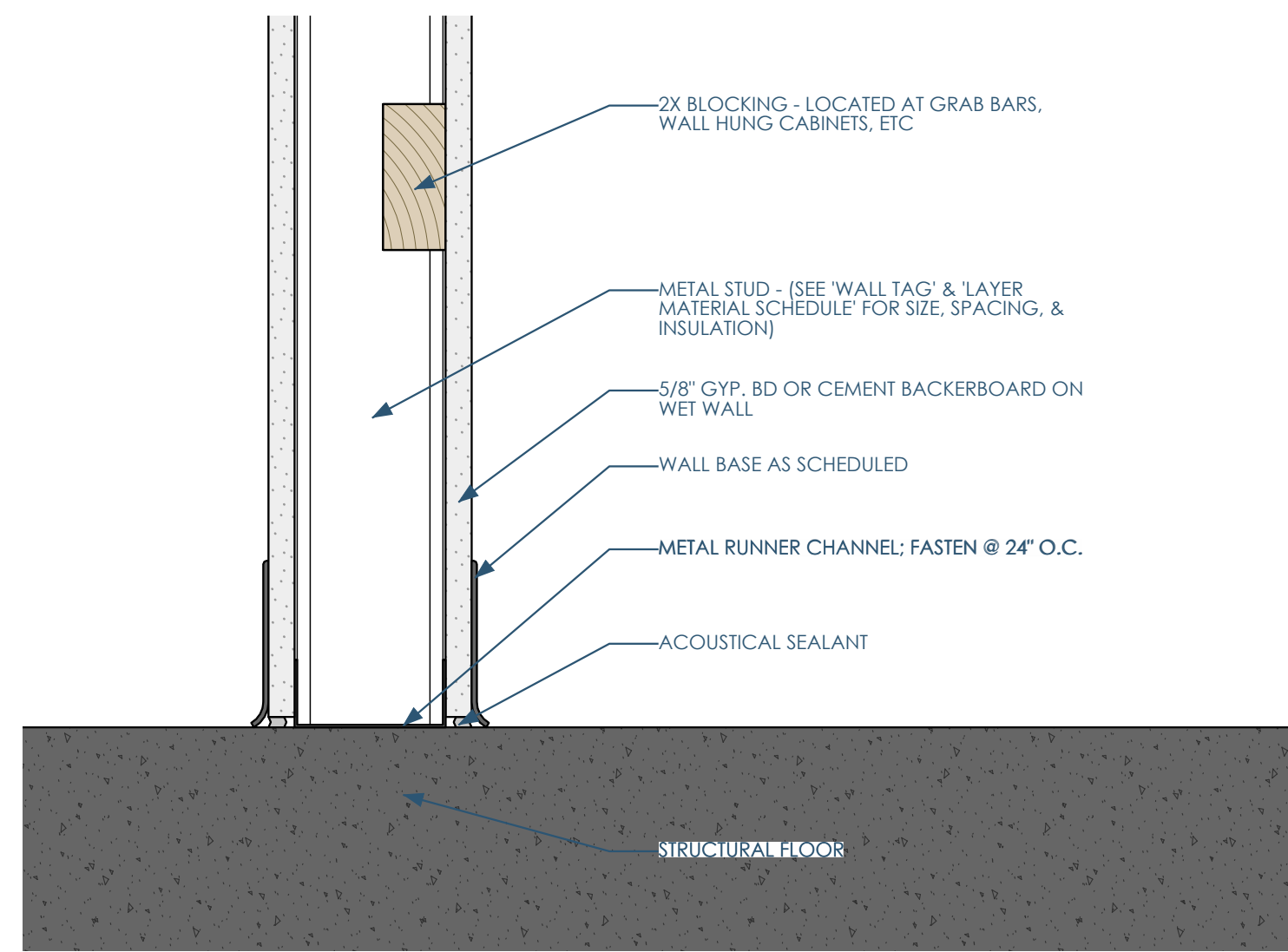
This project, like most OpeningDesign's projects, is open source (Attribution-ShareAlike 4.0 International=CC-BY-SA 4.0)=freely available to any party for future use...assuming the terms such as Attribution and ShareAlike are honored.



2/A800 M_BØD - FULL HEIGHT PARTITION NOT RATED - HEAD
3"=1'-0"



3/A800 M_BØB - PARTIAL HEIGHT PARTITION NOT RATED - HEAD
3"=1'-0"



1/A800 M_BØD - FULL HEIGHT PARTITION NOT RATED - BASE
3"=1'-0"

1ST POSITION = CORE MATERIAL							
2ND POSITION = SIZE OF CORE							
3RD POSITION = LAYER MATERIAL							
INTERIOR				EXTERIOR			
LAYER 4-L	LAYER 3-L	LAYER 2-L	LAYER 1 (CORE)	LAYER 1 (CORE)	LAYER 2-R	LAYER 3-R	LAYER 4-R
UL NUMBER				UL NUMBER			
A=		5/8" GYP. BD.	WOOD: N/A METAL: S137 (1-3/8" FLANGE) PUNCHED - 33MILS (20GA) - 16" O.C. W/O BATT. INSULATION	WOOD: N/A METAL: S137 (1-3/8" FLANGE) PUNCHED - 33MILS (20GA) - 16" O.C. W/O BATT. INSULATION	5/8" GYP. BD.		
B=		5/8" GYP. BD.	WOOD: N/A METAL: S137 (1-3/8" FLANGE) PUNCHED - 33MILS (20GA) - 16" O.C. W/ BATT. INSULATION	WOOD: N/A METAL: S137 (1-3/8" FLANGE) PUNCHED - 33MILS (20GA) - 16" O.C. W/ BATT. INSULATION	5/8" GYP. BD.		
C=		5/8" GYP. BD.	WOOD: N/A METAL: S137 (1-3/8" FLANGE) PUNCHED - 33MILS (20GA) - 16" O.C. W/O BATT. INSULATION	WOOD: N/A METAL: S137 (1-3/8" FLANGE) PUNCHED - 33MILS (20GA) - 16" O.C. W/O BATT. INSULATION	1/2" AIR GAP		
D=		5/8" GYP. BD.	WOOD: N/A METAL: S137 (1-3/8" FLANGE) PUNCHED - 33MILS (20GA) - 16" O.C. W/ BATT. INSULATION	WOOD: N/A METAL: S137 (1-3/8" FLANGE) PUNCHED - 33MILS (20GA) - 16" O.C. W/ BATT. INSULATION	1/2" AIR GAP		
E=		5/8" GYP. BD.	WOOD: N/A METAL: S137 (1-3/8" FLANGE) PUNCHED - 33MILS (20GA) - 16" O.C. W/ RIGID INSULATION	WOOD: N/A METAL: S137 (1-3/8" FLANGE) PUNCHED - 33MILS (20GA) - 16" O.C. W/ RIGID INSULATION			
S=		5/8" GYP. BD (VAPOR BARRIER NOT NECESSARY)	WOOD: N/A METAL: EXISTING STUDS W/ MINERAL WOOL INSULATION	WOOD: N/A METAL: EXISTING STUDS W/ MINERAL WOOL INSULATION	EXISTING LAYERS	EXISTING LAYERS	EXISTING LAYERS
T=		5/8" GYP. BD OVER VAPOR BARRIER	WOOD: N/A METAL: S137 (1-3/8" FLANGE) STRUCTURAL STUD PUNCHED - 33MILS (20GA) 33KSI - 16" O.C. W/ BATT. INSULATION	WOOD: N/A METAL: S137 (1-3/8" FLANGE) STRUCTURAL STUD PUNCHED - 33MILS (20GA) 33KSI - 16" O.C. W/ BATT. INSULATION	BUILDING WRAP OVER 1/2" CDX SHEATHING	7/8" AIR GAP	BRICK - MODULAR - 3 1/2" x 2 1/4" x 7 1/2" (4 x 2 1/2" x 6")
Z=			WOOD: N/A METAL: S137 (1-3/8" FLANGE) PUNCHED - 33MILS (20GA) - 16" O.C. W/ BATT. INSULATION	WOOD: N/A METAL: S137 (1-3/8" FLANGE) PUNCHED - 33MILS (20GA) - 16" O.C. W/ BATT. INSULATION	5/8" GYP. BD.		
4 • 4TH POSITION: FIRE RATING - Ø=0 HOUR - 1=1 HOUR - 2=2 HOUR - 3=3 HOUR - 5=5 HOUR							
5 • 5TH POSITION (AND BEYOND) = MODIFIERS - A=PARTIAL HEIGHT PARTITION; (WALL LAYER 1, 2, 3 & 4 TO TERMINATE AT OR BELOW HUNG CEILING) - B=PARTIAL HEIGHT PARTITION; (WALL LAYER 1 TO EXTEND ABOVE THE FINISHED CEILING AS NECESSARY) (WALL LAYER 2, 3 & 4 TO EXTEND 6" ABOVE FINISHED CEILING HEIGHT) - C=PARTIAL HEIGHT PARTITION; (LAYER 1 TO EXTEND TO BOTTOM OF STRUCTURE) (WALL LAYER 2, 3 & 4 TO EXTEND 6" ABOVE FINISHED CEILING HEIGHT) - D=FULL HEIGHT TO UNDERSIDE OF STRUCTURAL DECK/SHEATHING; (WALL LAYER 1, 2, 3 & 4 TO TERMINATE STRUCTURAL DECK/SHEATHING) - F=FULL HEIGHT TO UNDERSIDE OF STRUCTURAL FLOOR/ROOF ASSEMBLY; (WALL LAYER 1, 2, 3 & 4 TO TERMINATE AT THE UNDERSIDE OF STRUCTURAL FLOOR/ROOF ASSEMBLY) - K=KNEE WALL PARTITION - R=FURRED OUT WALL							
• EXAMPLE: M3SRZØFR - 1ST POSITION = M = METAL - 2ND POSITION = 3SR = 3-3/8" METAL STUD - 3RD POSITION = Z = S137 (1-3/8" FLANGE) PUNCHED - 33MILS (20GA) - 16" O.C. - W/ BATT. INSULATION IN THE CAVITY W/ 5/8" GYP. BD. ON ONLY ONE SIDE - 4TH POSITION = Ø = 0 HOUR - 5TH POSITION = F = FULL HEIGHT TO UNDERSIDE OF STRUCTURAL FLOOR/ROOF ASSEMBLY - 6TH POSITION = R = FURRED OUT WALL							

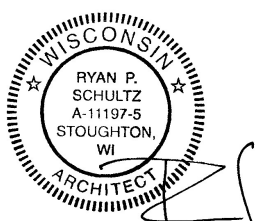
4/A800 PARTITION TAG NOMENCLATURE



openingdesign

Owner: Forage Kitchen
5352 King James Way
Fitchburg, WI 53719
eafforage.com

Architect: OpeningDesign
17 S Fairchild | FL 7
Madison, WI 53703
ryan@openingdesign.com | 773.425.6456



Handwritten signature of Ryan P. Schmitt.

PARTITION DETAILS - METAL STUDS
FK - BROOKFIELD
350 DISCOVERY DR, BROOKFIELD, WI 53045

A800

This project, like most OpeningDesign's projects, is open source (Attribution-ShareAlike 4.0 International=CC-BY-SA 4.0) - freely available to any party for future use - assuming the terms such as Attribution and ShareAlike are honored.



1/A900 PERSPECTIVE - 1



2/A900 PERSPECTIVE - 2



3/A900 PERSPECTIVE - 3



4/A900 PERSPECTIVE - 4



5/A900 PERSPECTIVE - 5

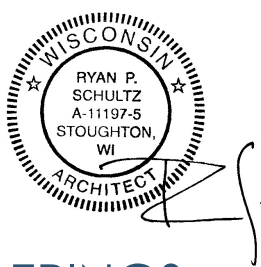


6/A900 PERSPECTIVE - 6



Owner: Forage Kitchen
5352 King James Way
Fitchburg, WI 53719
eatforage.com

Architect: Opening Design
17 S Fairchild | FL 7
Madison, WI 53703
ryan@openingdesign.com | 773.425.6456



Handwritten signature of Ryan P. Schreitz.

RENDERINGS
FK - BROOKFIELD
350 DISCOVERY DR, BROOKFIELD, WI 53045

A900

This project, like most Opening Design's projects, is open source (Attribution-ShareAlike 4.0 International - CC BY-SA 4.0) - freely available to any party for future use, assuming the terms such as Attribution and ShareAlike are honored.