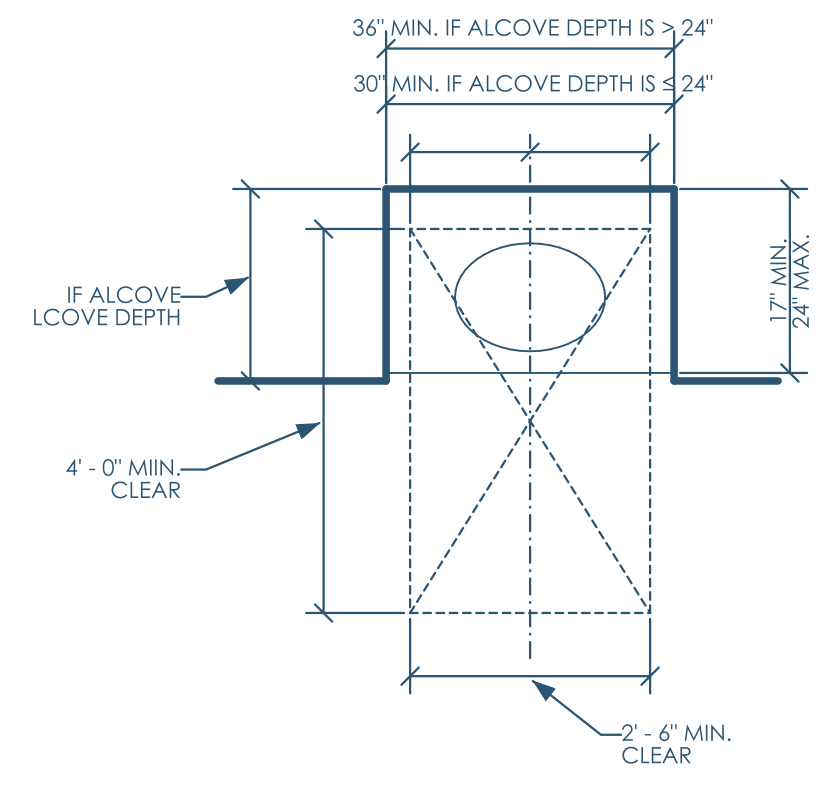
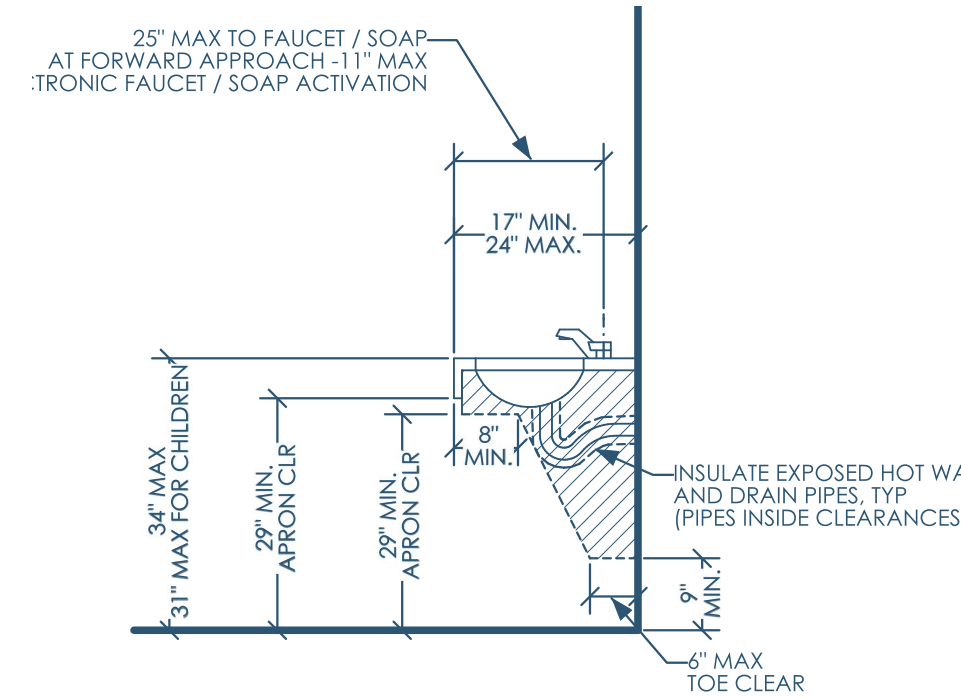


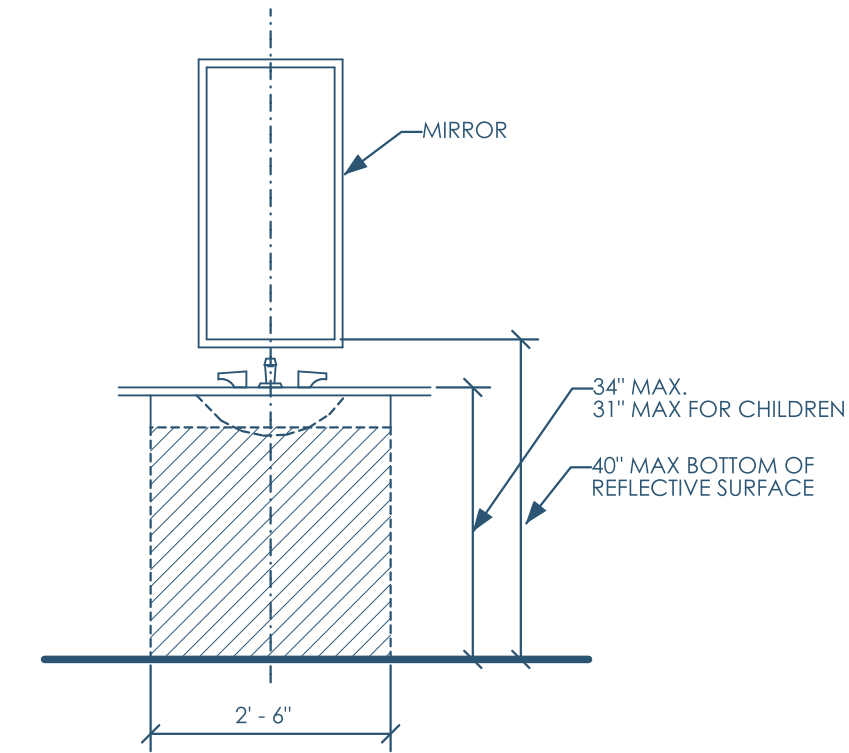
5C/A750 ADA - WATER CLOSET - FLOOR PLAN
1/2"=1'-0"



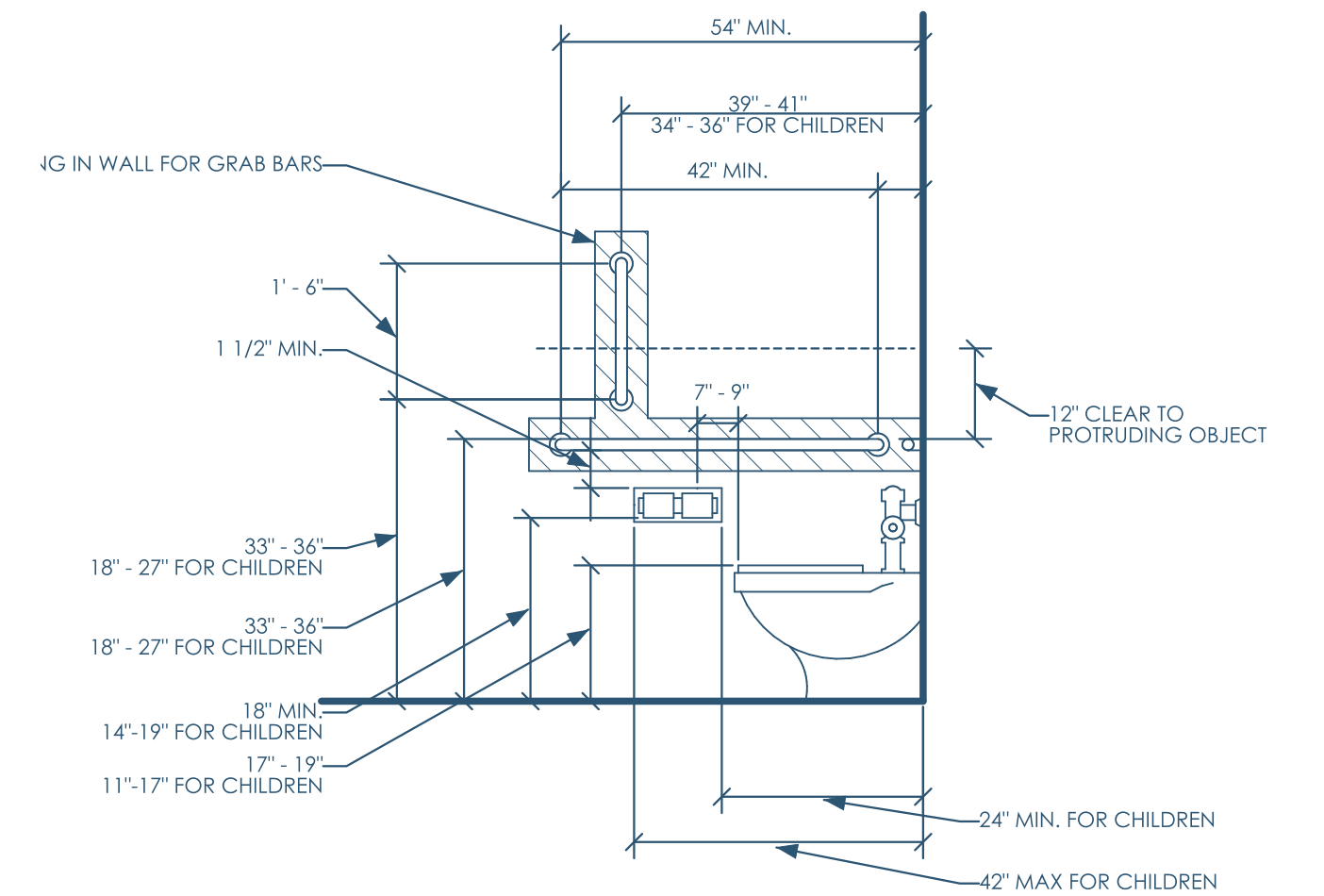
4C/A750 ADA - LAVATORY - PLAN
1/2"=1'-0"



3C/A750 ADA - LAVATORY - SIDE
1/2"=1'-0"



2C/A750 ADA - LAVATORY - FRONT
1/2"=1'-0"

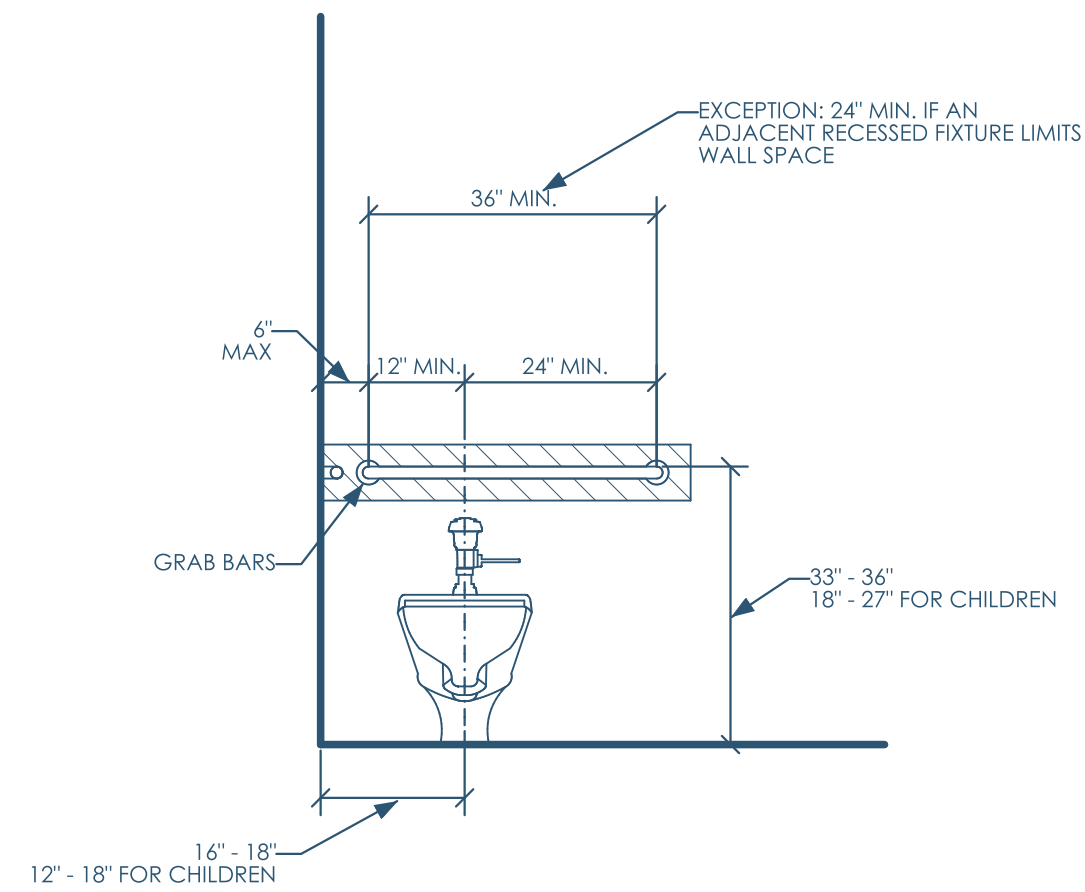


1C/A750 ADA - WATER CLOSET - SIDE
1/2"=1'-0"

GENERAL RESTROOM NOTES

- PER IBC 1210.2.2 WALLS AND PARTITIONS WITHIN 2 FEET (610MM) OF SERVICE SINKS, URINALS AND WATER CLOSETS SHALL HAVE A SMOOTH, HARD, NONABSORBENT SURFACE TO A HEIGHT OF NOT LESS THAN 4 FEET (1219 MM) ABOVE THE FLOOR, AND EXCEPT FOR STRUCTURAL ELEMENTS, THE MATERIAL USED IN SUCH WALLS SHALL BE OF A TYPE THAT IS NOT ADVERSELY AFFECTED BY MOISTURE.
- 1210.2.1 FLOORS AND WALL BASES IN OTHER THAN DWELLING UNITS, TOILET, BATHING AND SHOWER ROOM FLOOR FINISH MATERIALS SHALL HAVE A SMOOTH, HARD, NONABSORBENT SURFACE. THE INTERSECTIONS OF SUCH FLOORS WITH WALLS SHALL HAVE A SMOOTH, HARD, NONABSORBENT VERTICAL BASE THAT EXTENDS UPWARD ONTO THE WALLS NOT LESS THAN 4 INCHES (102 MM).
- 1210.2.3 SHOWERS SHOWER COMPARTMENTS AND WALLS ABOVE BATHTUBS WITH INSTALLED SHOWER HEADS SHALL BE FINISHED WITH A SMOOTH, NONABSORBENT SURFACE TO A HEIGHT NOT LESS THAN 72 INCHES (1829 MM) ABOVE THE DRAIN INLET.

1A/A750 GENERAL RESTROOM NOTES



5B/A750 ADA - WATER CLOSET - FRONT
1/2"=1'-0"



This project, like most OpeningDesign's projects, is open source (Attribution-ShareAlike 4.0 International=CC-BY-SA 4.0)=freely available to any party for future use, assuming the terms such as Attribution and ShareAlike are honored.