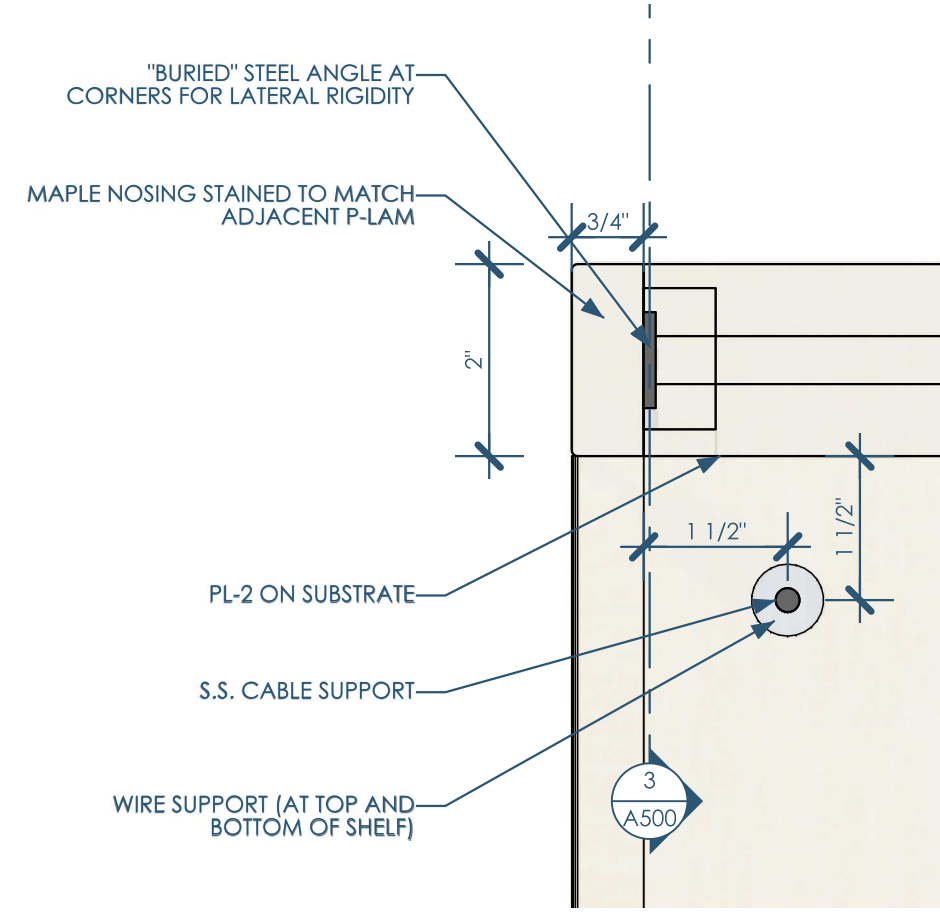
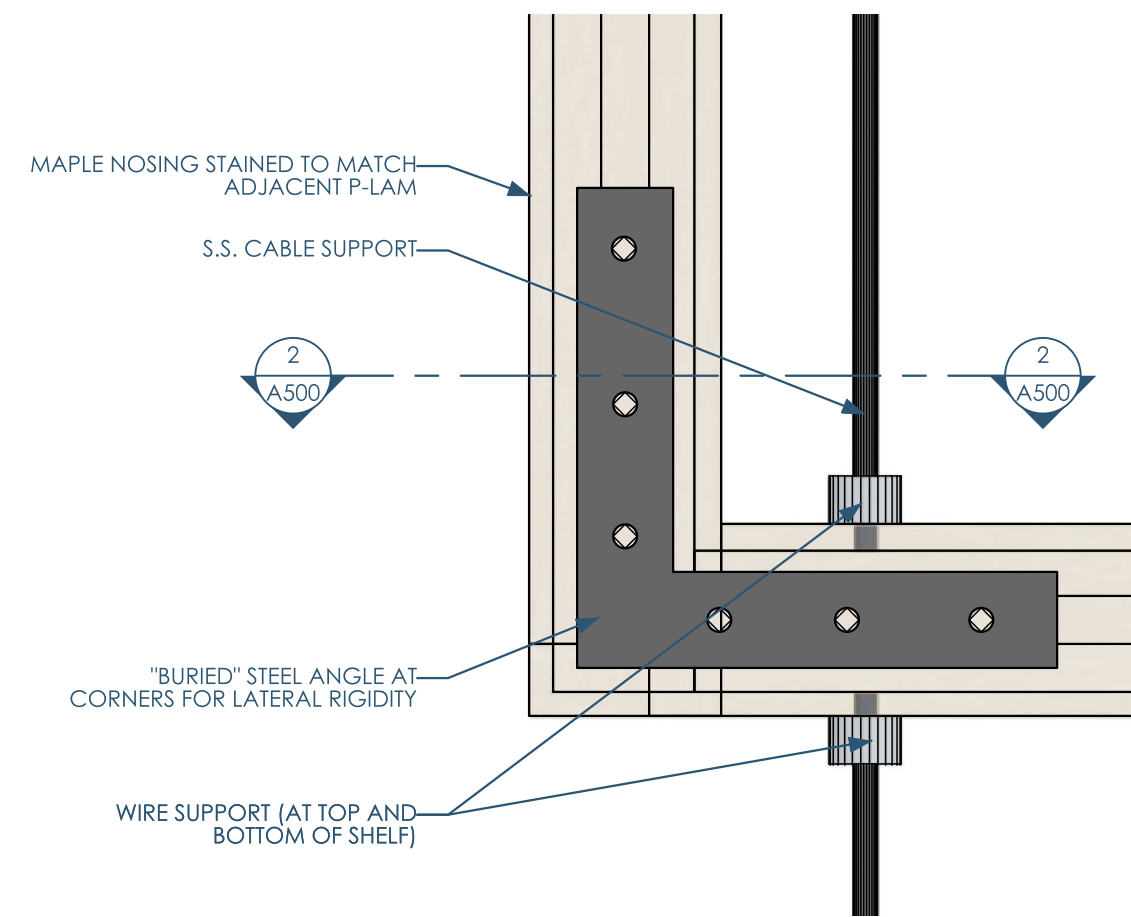


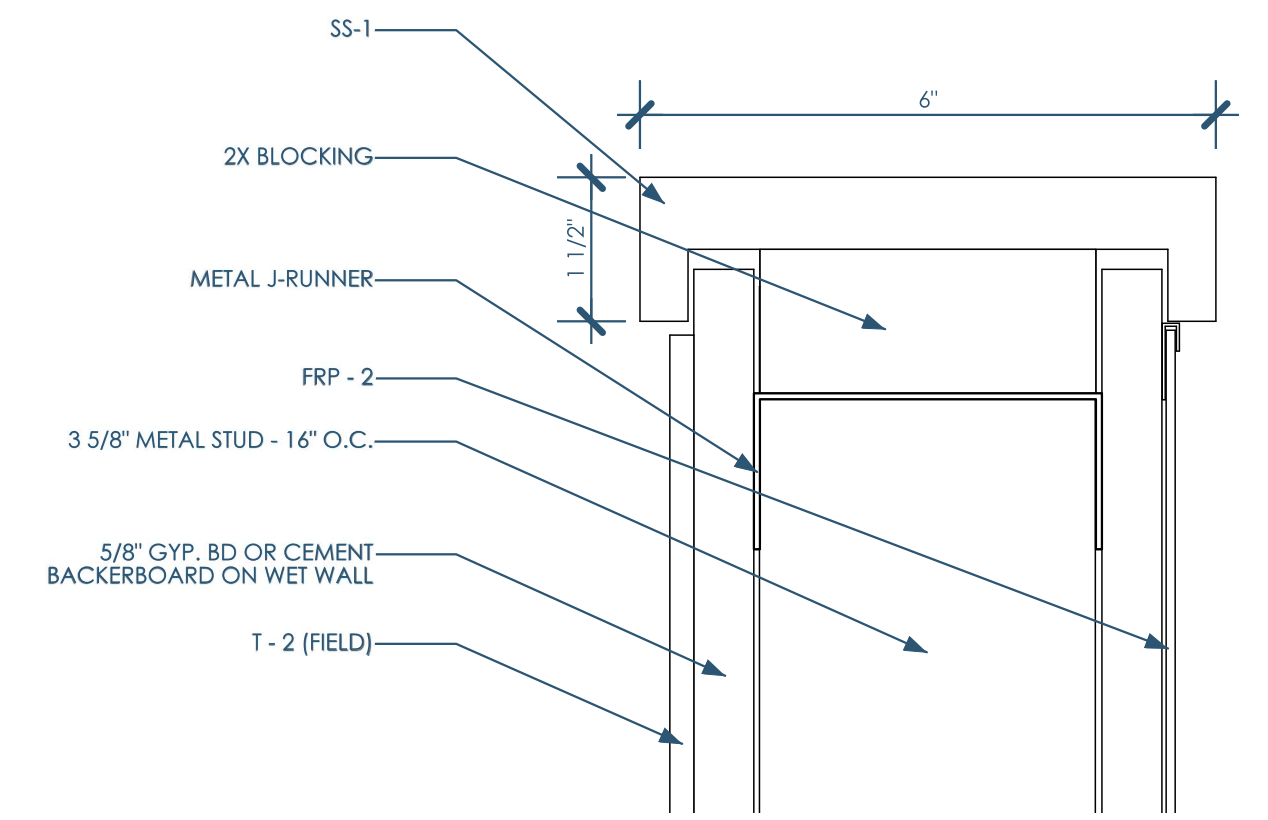
1/A500 ENLARGED ELEVATION - HANGING SHELVES
1"=1'-0"



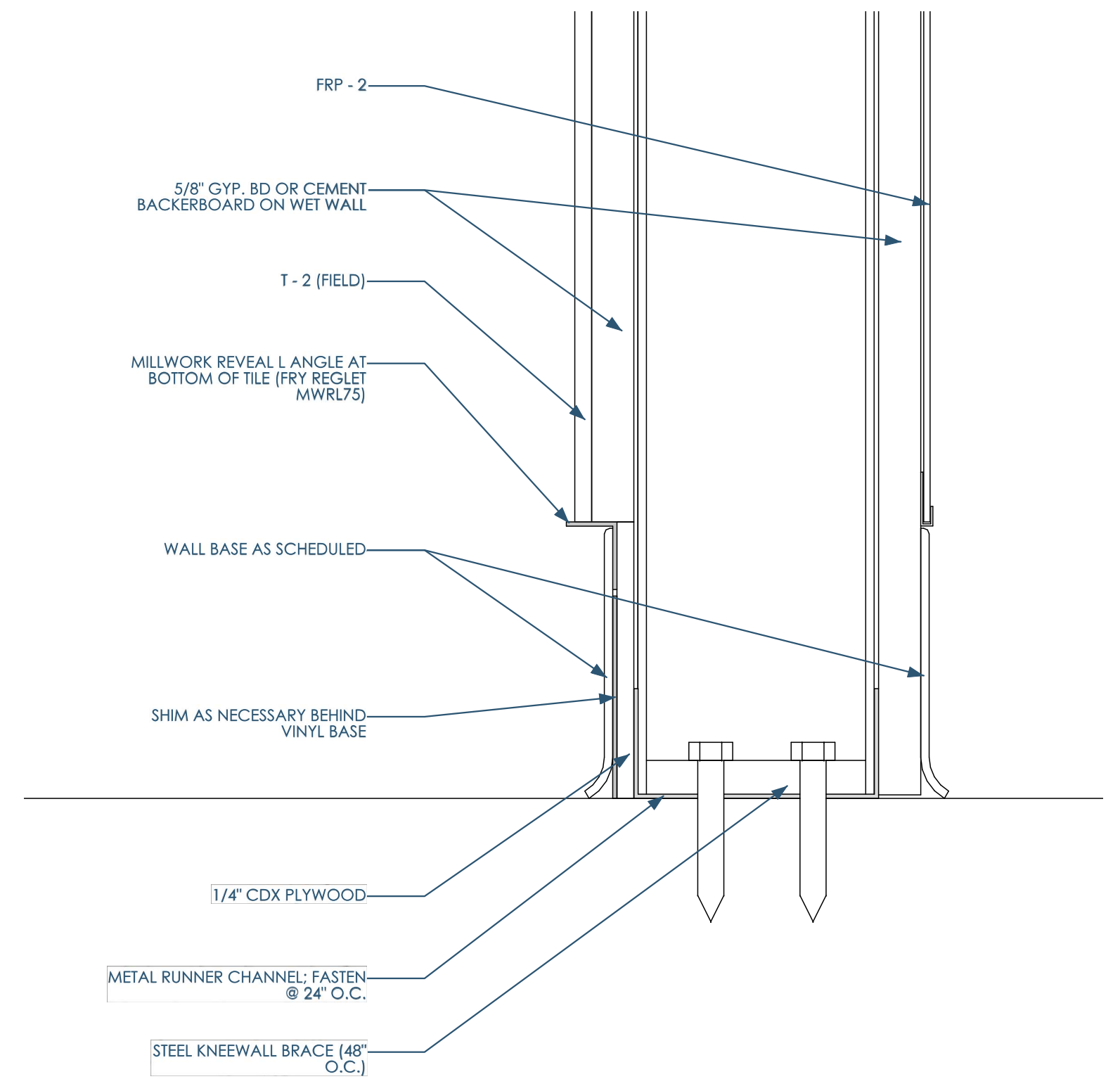
2/A500 DETAIL - PLAN - HANGING SHELF
6"=1'-0"



3/A500 DETAIL - SECTION - HANGING SHELF
6"=1'-0"



4/A500 DETAIL - SECTION - DIEWALL HEAD
6"=1'-0"



5/A500 DETAIL - SECTION - DIEWALL BASE
6"=1'-0"



Owner: Forage Kitchen
5352 King James Way
Fitchburg, WI 53719
eatforage.com

GC: Venture Construction Group
17500 W. Liberty Lane
New Berlin, WI 53146
vcginc.com

Architect: Opening Design
17 S Fairchild | FL 7
Madison, WI 53703
ryan@openingdesign.com | 773.425.6456

DETAILS
FK - BROOKFIELD
350 DISCOVERY DR, BROOKFIELD, WI 53045

A500

This project, like most OpeningDesign's projects, is open source. (Attribution-ShareAlike 4.0 International) CC-BY-SA 4.0] - freely available to any party for future use, assuming the terms such as Attribution and ShareAlike are honored.