

PROJECT NAME: _____ QUANTITY: _____ TYPE: _____

ORDERING CODE: _____



- ① Innovative cast aluminum arm that blends seamlessly with the luminaire.
- ② Sleek and timeless silhouette with no visible hardware. Features a die-cast aluminum housing with an internally sealed driver.
- ③ Recessed optical lens that delivers three distinct comfort light distributions: symmetric, asymmetric and pathway.
- ④ High-performance and efficient LED engine featuring glare-reducing technology, delivering a uniformly illuminated surface enhancing visual comfort



EG153-WM



EG153-WMS



MATERIALS

Ellington's main housing is made of corrosion resistant A360 aluminum alloy, ensures optimal heat dissipation and a copper content of less than 0.1%. The optical lens is made of acrylic.

ELECTRICAL DRIVER

Driver is 0-10V dimming-ready (dims to 1%) with: 120-277 multi-volt (50-60Hz) or 347-480 high-volt (50-60Hz), operating temperature range of -40°C/-40°F to 45°C/113°F, output over voltage protection, output over current protection and output short circuit protection with auto-recovery.

LED LIGHT ENGINE

Offered in 2700K/3000K/3500K/4000K CCT with 80 CRI. 70% LED lumen maintenance at 60,000 hours (L70/B50) based on IESNA LM-80-08 LED extrapolated life, calculated per IESNA TM-21-21.

FINISH

Five-stage preparation process including preheating of cast aluminum parts for air extraction, and an environmentally friendly alloy sealant. Polyester powder coating is applied through an electrostatic process and oven cured for long term finish.

CERTIFICATION

UL Certified to Canadian and U.S. safety standards. Certified for use in wet locations. Rated IP66/IK07. Photometric testing performed by an independent laboratory in accordance with IES LM-79-08 standards at 25°C. Actual performance may differ as a result of end-user environment and application.

DESIGN

Ellington mostly consists of aluminum (housing) and PMMA (optical lens), both of which are recyclable materials. In addition, its design minimizes the amount of assembling hardware needed. It can also be quickly disassembled to facilitate recycling.

WARRANTY

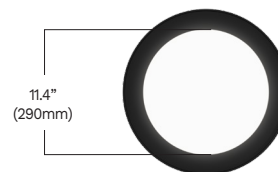
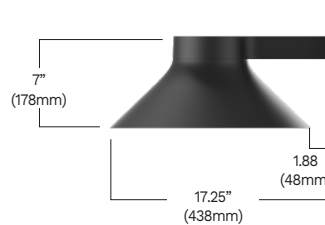
5-year limited warranty. This is the only warranty provided and no other statements in this specification sheet create any warranty of any kind. All other express and implied warranties are disclaimed. Complete warranty terms located at: <https://www.acuitybrands.com/support/warranty/terms-and-conditions>

MOUNTING

The mounting plate is designed to fit on a 4" (102mm) octagonal electrical box and is secured with four additional anchoring hardware provided by others. For drilling pattern, refer to installation sheet.

MEASUREMENTS

Maximum weight: 15.27 lbs (6.92 kg)




LUMINIS.COM

Toll free: (866) 586-4647 | Fax: (514) 683-8872 | Email: info@luminis.com
 260 Labrosse, Pointe-Claire (QC) Canada H9R 5L5

EG153
 Rev. 12/01/25

ORDERING CODE

*SERIES	*LIGHT OUTPUT	*DISTRIBUTION	*CCT	*VOLTAGE	*MOUNTING
 EG153	L2L20	2250 lm / 25w	SYM Symmetric	27K 2700K	MVOLT 120V-277V
	L2L30	3180 lm / 37w	ASY Asymmetric	30K 3000K	HVOLT 347V-480V
	L2L40	4087 lm / 50w	PATH Pathway	35K 3500K	347 347V
	L2L50	5042 lm / 64w ¹		40K 4000K	480 480V
	L2L60	6661 lm / 90w ²			
<p>Delivered lumens calculated at 4000K/80CRI. Symmetric distribution. Refer to reference table for outputs at other distribution types. Typical power consumption. Refer to LCF table for outputs at other CCTs.</p>					

CONTROLS	PHOTOCELL	MOTION SENSOR	SURGE PROTECTOR	EMERGENCY
NLTH nLight AIR 2.0 integrated in head ³	PH7 7-PIN receptable with photocell sensor mounted on head ⁴ PHSC 7-PIN receptable with shorting cap preinstalled	MS Motion sensor inside luminaire ⁵	SP Surge protector	REM7 Remote emergency battery, 90 min, 7W ⁶


*FINISH	ENVIRONMENT
BKT Jet black BZT Bronze CHT Champagne CNT Corten DGT Gun metal GRT Titanium gray MST Matte silver SGT Steel gray WHT Snow white CMC Custom matched color ⁷ RAL RAL color ⁸	MG Marine grade paint ⁹ NT Natatorium suitable ¹⁰

NOTES

- *- Denotes a required field
- 1- Available only with SYM and PATH.
- 2- Available only with SYM.
- 3- Not available with PH7, PHSC, MS, REM7, HVOLT. Must link to external nLight Air network.
- 4- Not available with HVOLT.
- 5- Not available with PH7, PHSC, NLTH, REM7, HVOLT.
- 6- Remote mount 50ft - 12" (305mm) square enclosure with access cover. The remote enclosure must be interior (cable by others). Not available with HVOLT.
- 7- Contact factory to coordinate custom matching color.
- 8- Specify RAL number.
- 9- Marine grade paint for harsh, coastal environment and exposure to salt water. Additional delay required.
- 10- Available only in WHT and BKT finish.



DARKSKY APPROVED ORDERING CODE

*SERIES	*LIGHT OUTPUT	*DISTRIBUTION	*CCT	*VOLTAGE	*MOUNTING
EG153 	L2L20 2250 lm / 25w	SYM Symmetric	27K 2700K	MVOLT 120V-277V	WM Wall mount WMS Wall mount shepherd arm attachment
	L2L30 3180 lm / 37w		30K 3000K	HVOLT 347V-480V	
	L2L40 4087 lm / 50w			347 347V	
	L2L50 5042 lm / 64w			480 480V	
	L2L60 6661 lm / 90w				
	Delivered lumens calculated at 4000K/80CRI. Symmetric distribution. Refer to reference table for outputs at other distribution types. Typical power consumption. Refer to LCF table for outputs at other CCTs.				

CONTROLS	PHOTOCELL	MOTION SENSOR	SURGE PROTECTOR	EMERGENCY
NLTH nLight AIR 2.0 integrated in head ¹	PH7 7-PIN receptable with photocell sensor mounted on head ² PHSC 7-PIN receptable with shorting cap preinstalled	MS Motion sensor inside luminaire ³	SP Surge protector	REM7 Remote emergency battery, 90 min, 7W ⁴

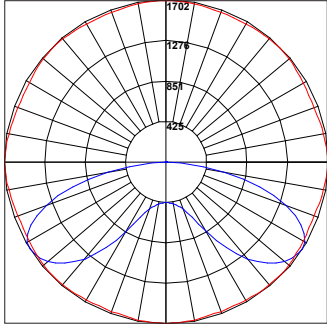
*FINISH	ENVIRONMENT
BKT Jet black	MG Marine grade paint ⁷ NT Natatorium suitable ⁸
BZT Bronze	
CHT Champagne	
CNT Corten	
DGT Gun metal	
GRT Titanium gray	
MST Matte silver	
SGT Steel gray	
WHT Snow white	
CMC Custom matched color ⁵	
RAL RAL color ⁶	

NOTES

- *- Denotes a required field
- 1- Not available with PH7, PHSC, MS, REM7, HVOLT. Must link to external nLight Air network.
- 2- Not available with HVOLT.
- 3- Not available with PH7, PHSC, NLTH, REM7, HVOLT.
- 4- Remote mount 50ft - 12" (305mm) square enclosure with access cover. The remote enclosure must be interior (cable by others). Not available with HVOLT.
- 5- Contact factory to coordinate custom matching color.
- 6- Specify RAL number.
- 7- Marine grade paint for harsh, coastal environment and exposure to salt water. Additional delay required.
- 8- Available only in WHT and BKT finish.

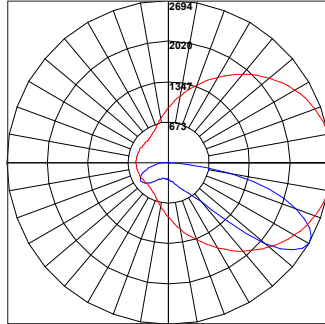
TYPICAL PHOTOMETRY SUMMARY

EG153-L2L60-SYM



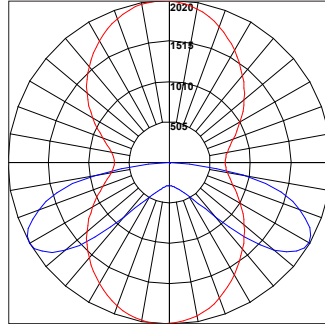
Total Lms: 6661 Lumens
Total Input Watts: 90 W
Efficacy: 74 Lumens/Watt
BUG: B3-U0-G2
CCT/CRI: 4000K/80
Maximum Candela: 1702@
 180°H/57.5°V

EG153-L2L40-ASY



Total Lms: 4645 Lumens
Total Input Watts: 92 W
Efficacy: 51 Lumens/Watt
BUG: B1-U0-G2
CCT/CRI: 4000K/80
Maximum Candela: 2694@
 7.5°H/60°V

EG153-L2L50-PATH



Total Lms: 5001 Lumens
Total Input Watts: 92 W
Efficacy: 54 Lumens/Watt
BUG: B3-U0-G3
CCT/CRI: 4000K/80
Maximum Candela: 2020@
 92.5°H/60°V

SYM - LUMEN CONVERSION FACTOR (LCF)		
CCT	CRI	LCF
2700K	80	0.91
3000K	80	0.94
3500K	80	0.98
4000K	80	1.00

ASY/PATH - LUMEN CONVERSION FACTOR (LCF)		
CCT	CRI	LCF
2700K	80	0.94
3000K	80	0.94
3500K	80	1.00
4000K	80	1.00

All Photometry shown use the 80CRI 4000K LEDs.
 Please visit our web site www.luminis.com for complete I.E.S. file.

REFERENCE TABLE - LIGHT OUTPUT

SYM - SYMMETRIC

	TOTAL LMS/WATTS	EFFICACY	BUG
L2L20	2250 lm / 25.4 w	89 lm/w	B1-U0-G1
L2L30	3180 lm / 37.4 w	85 lm/w	B2-U0-G1
L2L40	4087 lm / 49.9 w	82 lm/w	B2-U0-G1
L2L50	5042 lm / 64 w	79 lm/w	B2-U0-G1
L2L60	6661 lm / 90 w	74 lm/w	B3-U0-G2

ASY - ASYMMETRIC

	TOTAL LMS/WATTS	EFFICACY	BUG
L2L20	2051 lm / 37 w	55 lm/w	B1-U0-G1
L2L30	3350 lm / 63 w	53 lm/w	B1-U0-G1
L2L40	4645 lm / 92 w	51 lm/w	B1-U0-G2

PATH - PATHWAY

	TOTAL LMS/WATTS	EFFICACY	BUG
L2L20	2107 lm / 35.1 w	60 lm/w	B1-U0-G1
L2L30	3056 lm / 52.7 w	58 lm/w	B2-U0-G2
L2L40	4070 lm / 72.6 w	56 lm/w	B2-U0-G2
L2L50	5001 lm / 92 w	54 lm/w	B3-U0-G3

OPTION DETAILS



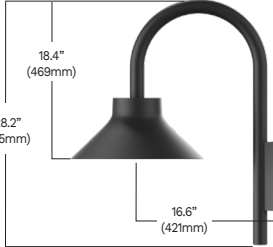
NLTH 
 nLight AIR Control gen2 and black antenna integrated in head.



PHSC
 7-PIN receptacle with shorting cap option mounted on top of the fixture housing as shown.

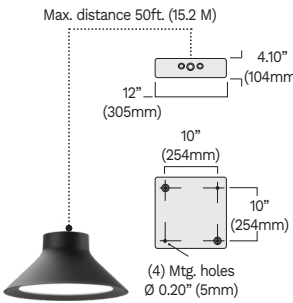


PH7
 7-PIN receptacle with photocell option mounted on top of the fixture housing as shown.



WMS
 Ø 1 5/8" shepherd aluminum arm wall mount, with a cast aluminum wall cover and galvanized steel mounting plate.

Dimensions: 18.4" (469mm), 28.2" (715mm), 16.6" (421mm)



Max. distance 50ft. (15.2 M)

Dimensions: 12" (305mm), 4.10" (104mm), 10" (254mm), 10" (254mm)

(4) Mtg. holes Ø 0.20" (5mm)

REM7
 Remote mount 120/277V emergency battery pack (1110 lm/90 min). Test switch provided within enclosure with 5" (127mm) leads.