

Renovation Wranglers  
Owner: Renovation Wranglers  
102 E 26th St  
Bryan, TX 77803  
Kateneason@rw.com | 979.450.9969

LKB ARCHITECTURE  
Architect of Record: LKB Architecture  
2929 Allen Pkwy Suite 200  
Houston, TX 77019  
isa@lkbarchitecture.com | 713.425.3076

DUDLEY  
Structural: Dudley  
Firm # 18677  
6102 Imperial Loop Drive  
College Station, TX 77845  
corieka@dudleyeng.com | (979) 777-0720

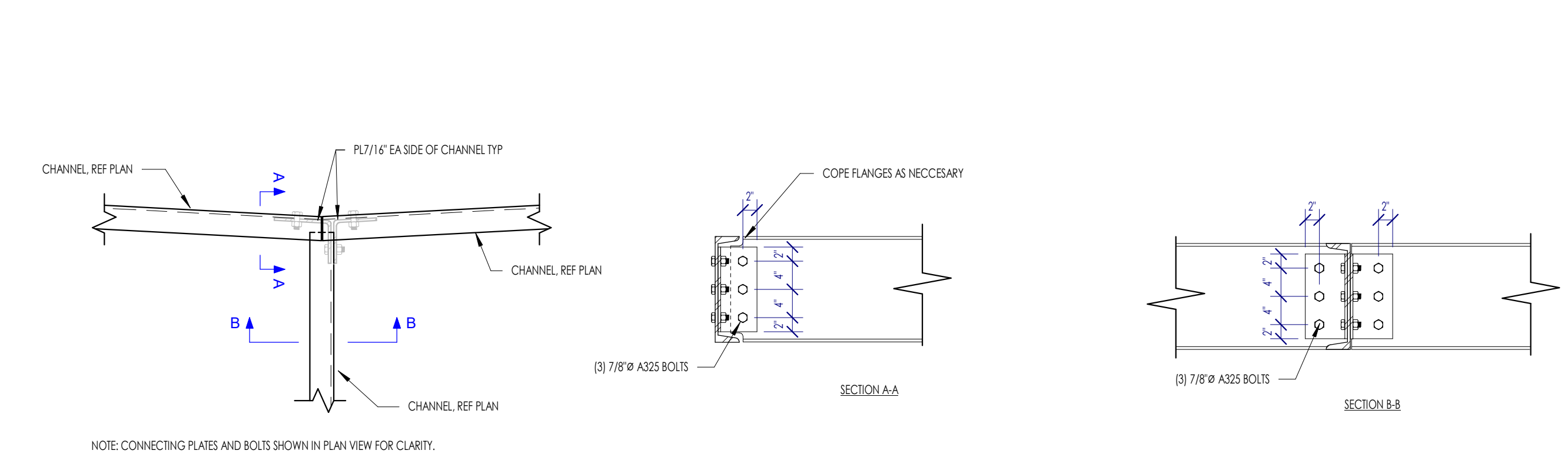
amc ENGINEERS  
MEP: AMC Engineers  
Texas Firm #9441  
508 E Jackson St # 552  
Bunnet, TX 78611  
info@amcengineers.com | 512.535.6427



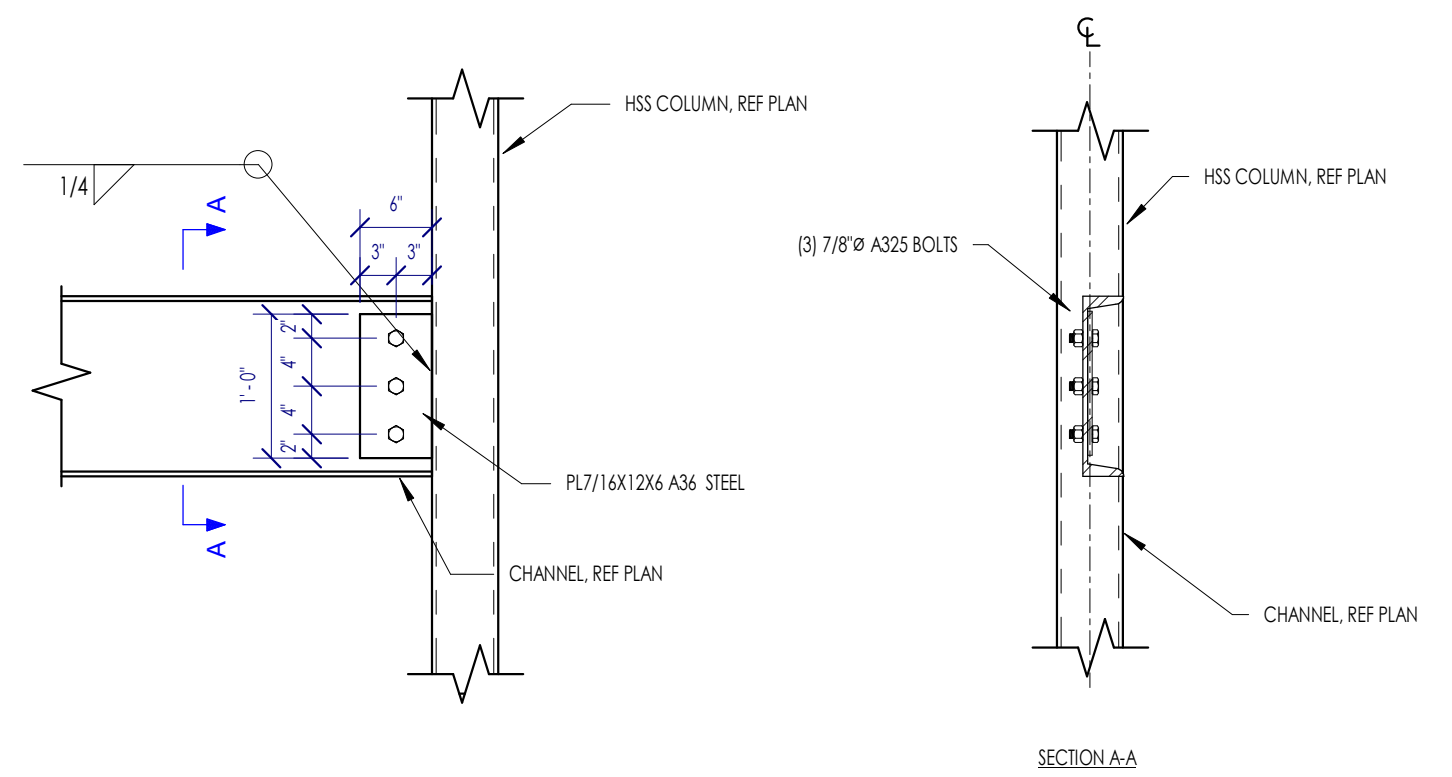
This project, like most OpeningDesign's projects, is open source (Attribution-ShareAlike 4.0 International-CC BY-SA 4.0)—freely available to any party for future use, assuming the terms such as Attribution and ShareAlike are honored.

openingdesign  
Architect: OpeningDesign  
17 S Fairchild | FL 7  
Madison, WI 53703  
ryan@openingdesign.com | 773.425.6456

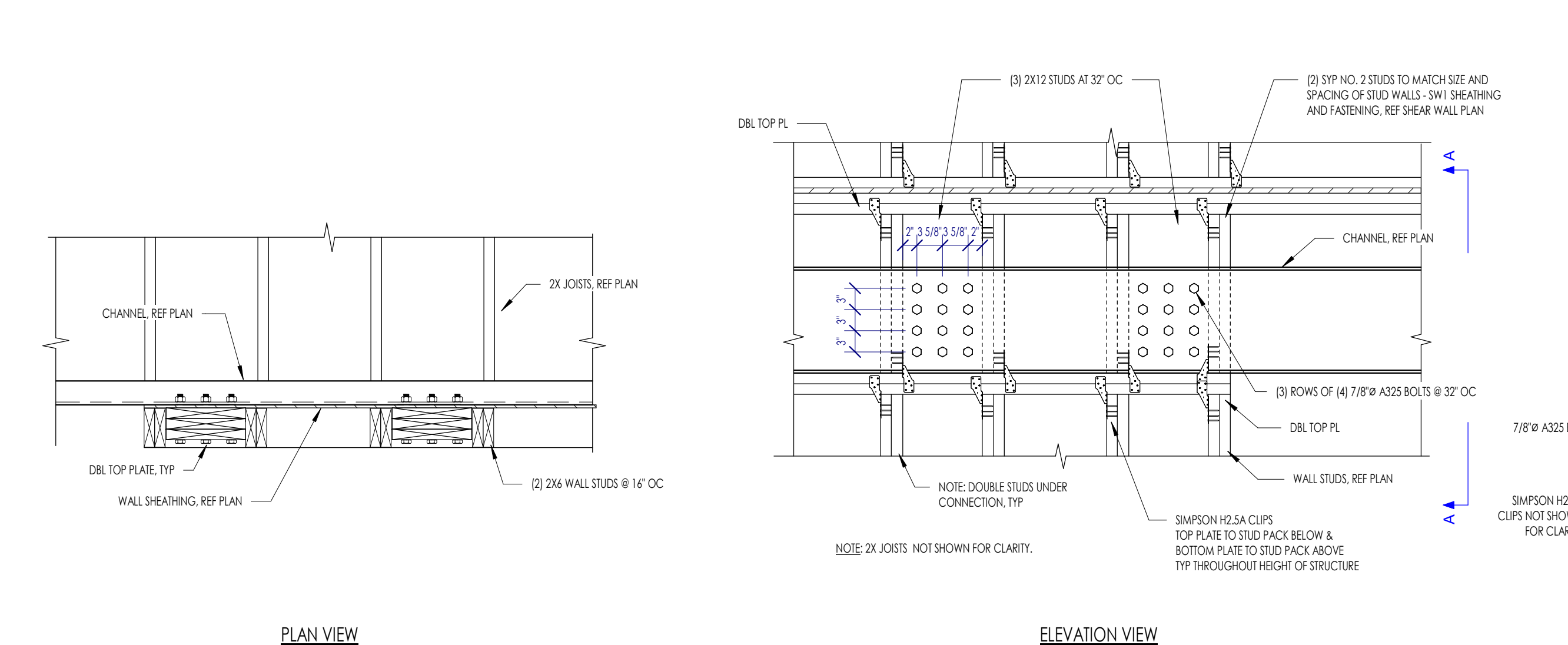
Date	Description
04/02/2022	Review before Permit
08/26/2022	PERMIT REVISIONS



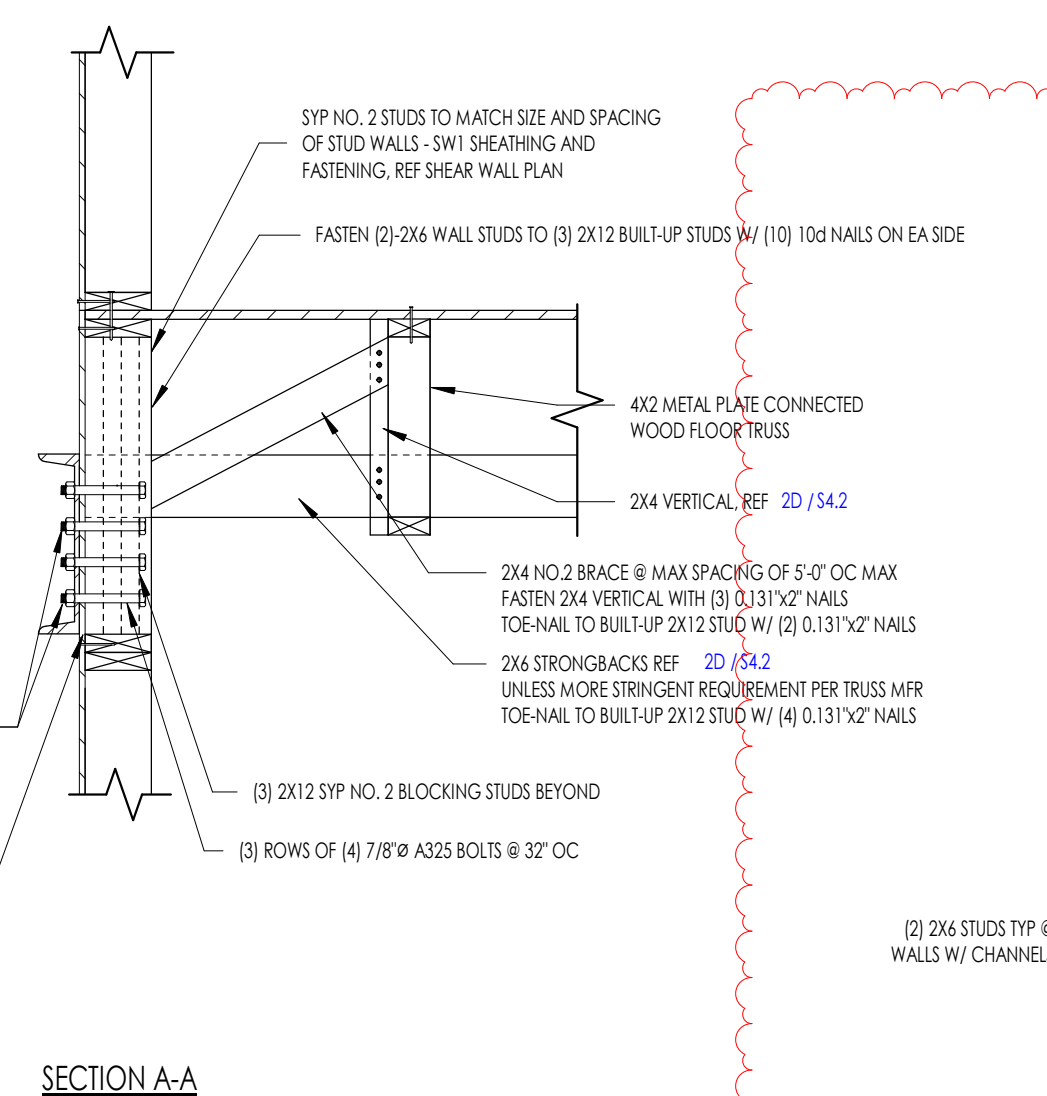
6B  
S4.5 TYPICAL CHANNEL CONNECTION AT BALCONY 1



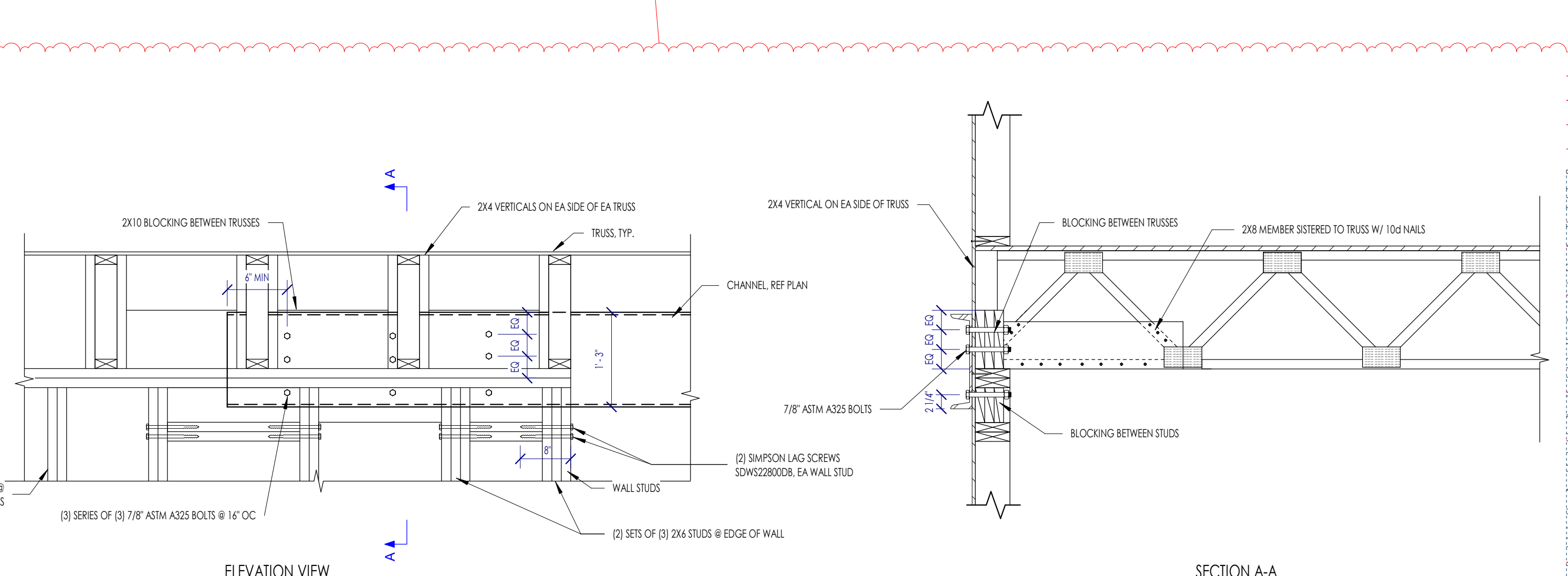
1C  
S4.5 CHANNEL TO HSS COLUMN CONNECTION - ALIGNED



6A  
S4.5 TYPICAL CHANNEL TO WALL STUD BOLTED CONNECTION



3A  
S4.5 TYPICAL CHANNEL TO WALL STUD CONNECTION



TYPICAL STEEL DETAILS