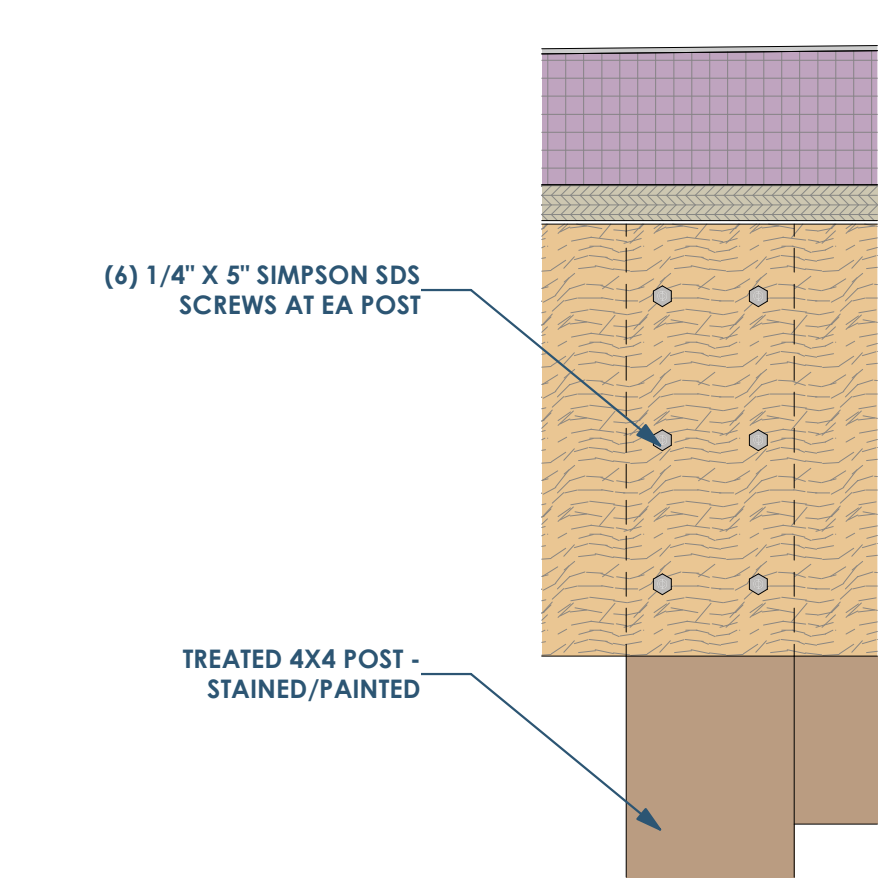


RENOVATION Wranglers
 Owner: Renovation Wranglers
 102 E 26th St
 Bryan, TX 77803
 Katerineason@wranglers.com | 979.450.9969

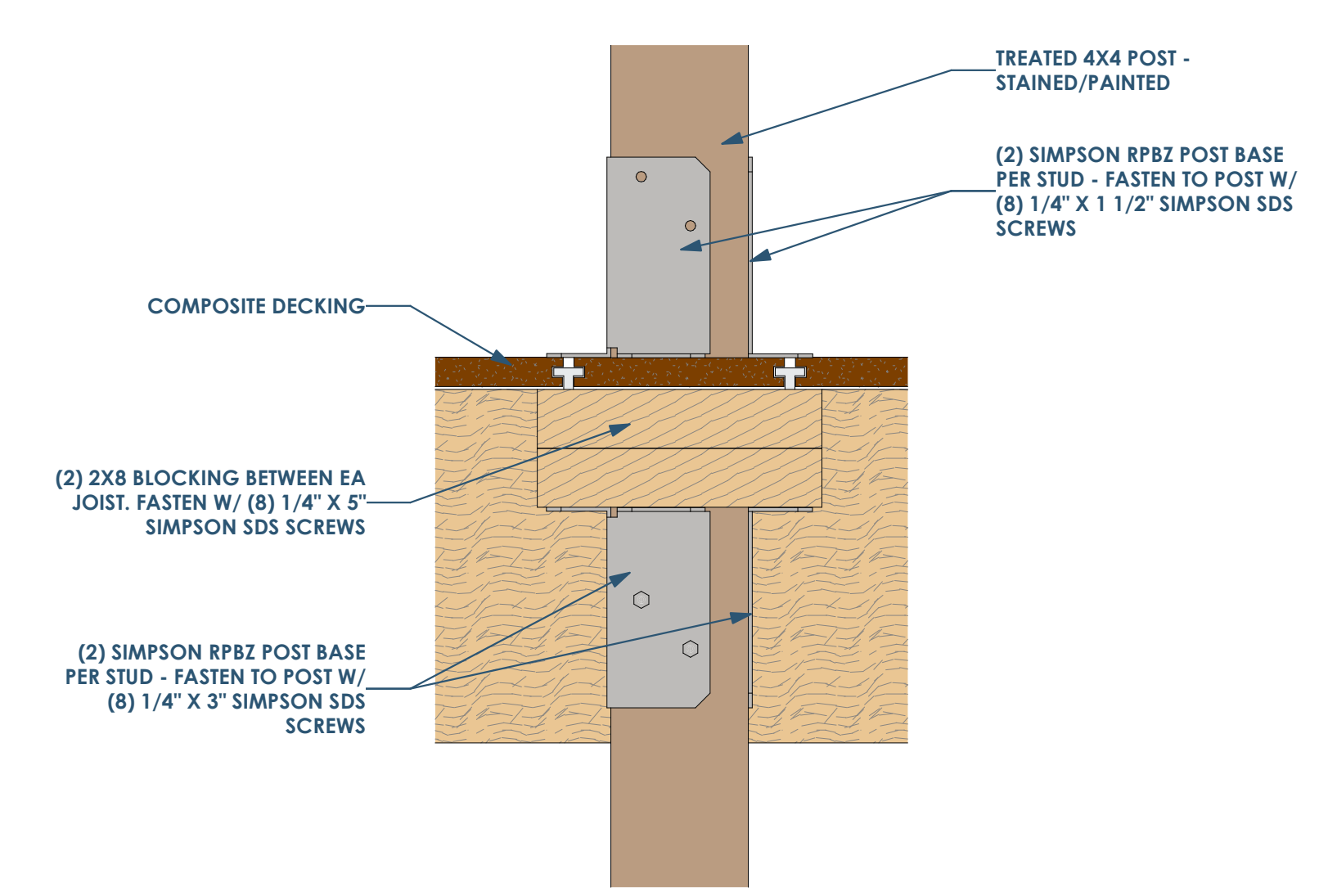
LKB ARCHITECTURE
 Architect of Record: LKB Architecture
 2929 Allen Pkwy Suite 200
 Houston, TX 77019
 isa@lkbarchitecture.com | 713.425.3076

DUDLEY
 Structural: Dudley
 Firm # 18677
 6102 Imperial Loop Drive
 College Station, TX 77845
 corieka@dudleyeng.com | (979) 777-0720

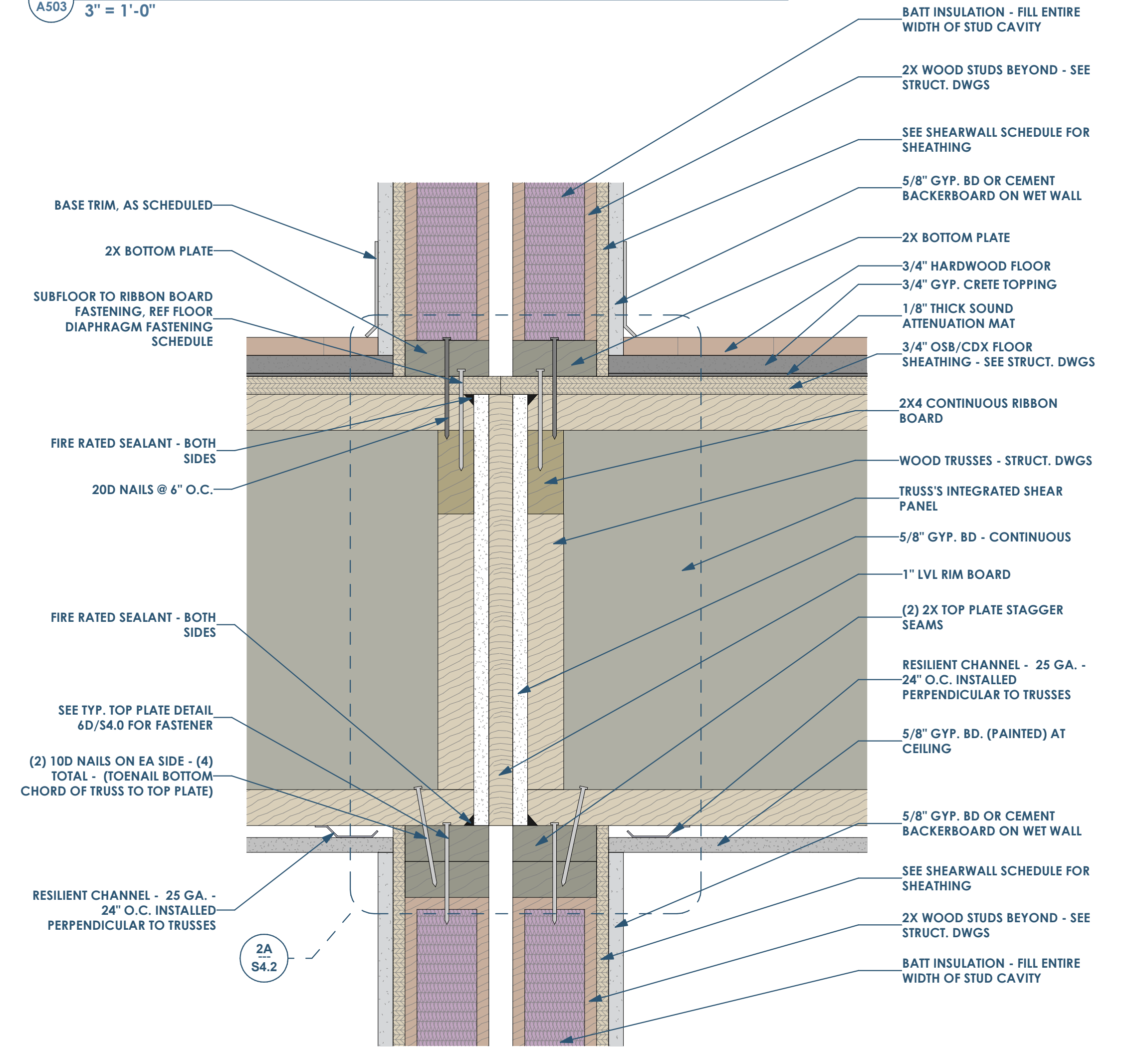
amc ENGINEERS
 MEP: AMC Engineers
 Texas Firm #9441
 508 E Jackson St # 552
 Burnet, TX 78611
 info@amcengineers.com | 512.535.6427



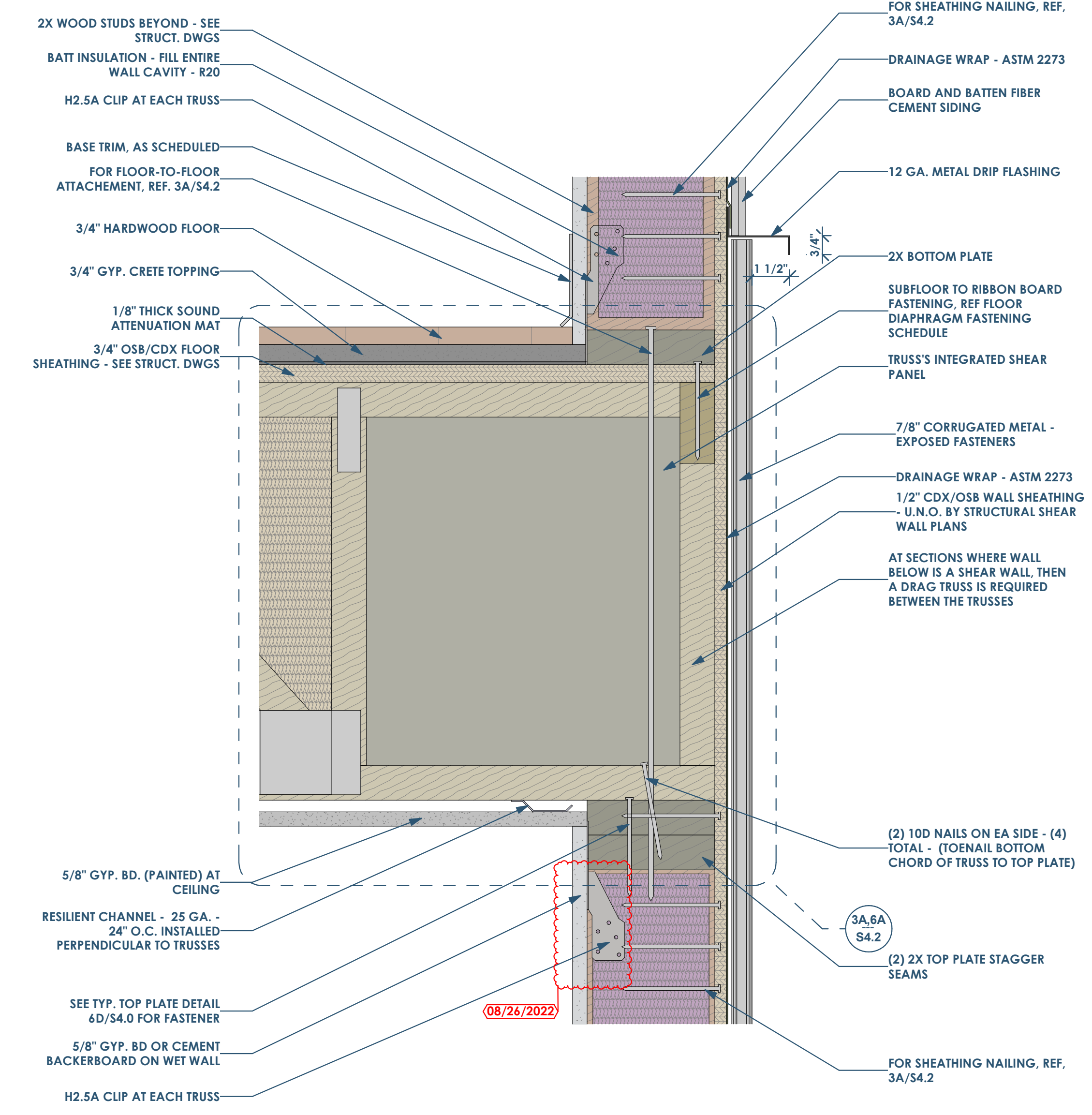
4E A503 SECTION DETAIL AT BALCONY SCREEN HEAD
 3" = 1'-0"



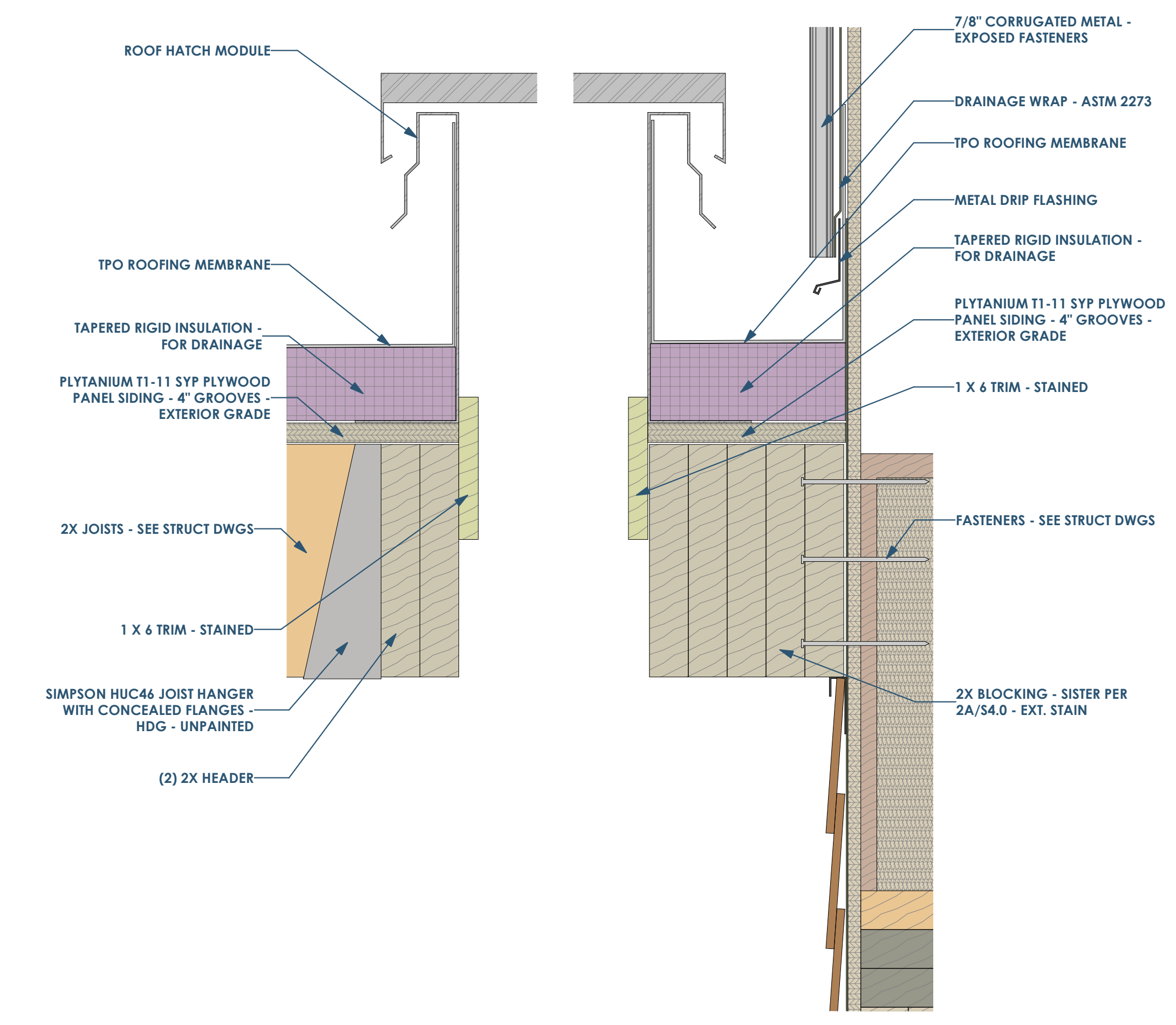
6C A503 SECTION DETAIL AT BALCONY SCREEN BASE
 3" = 1'-0"



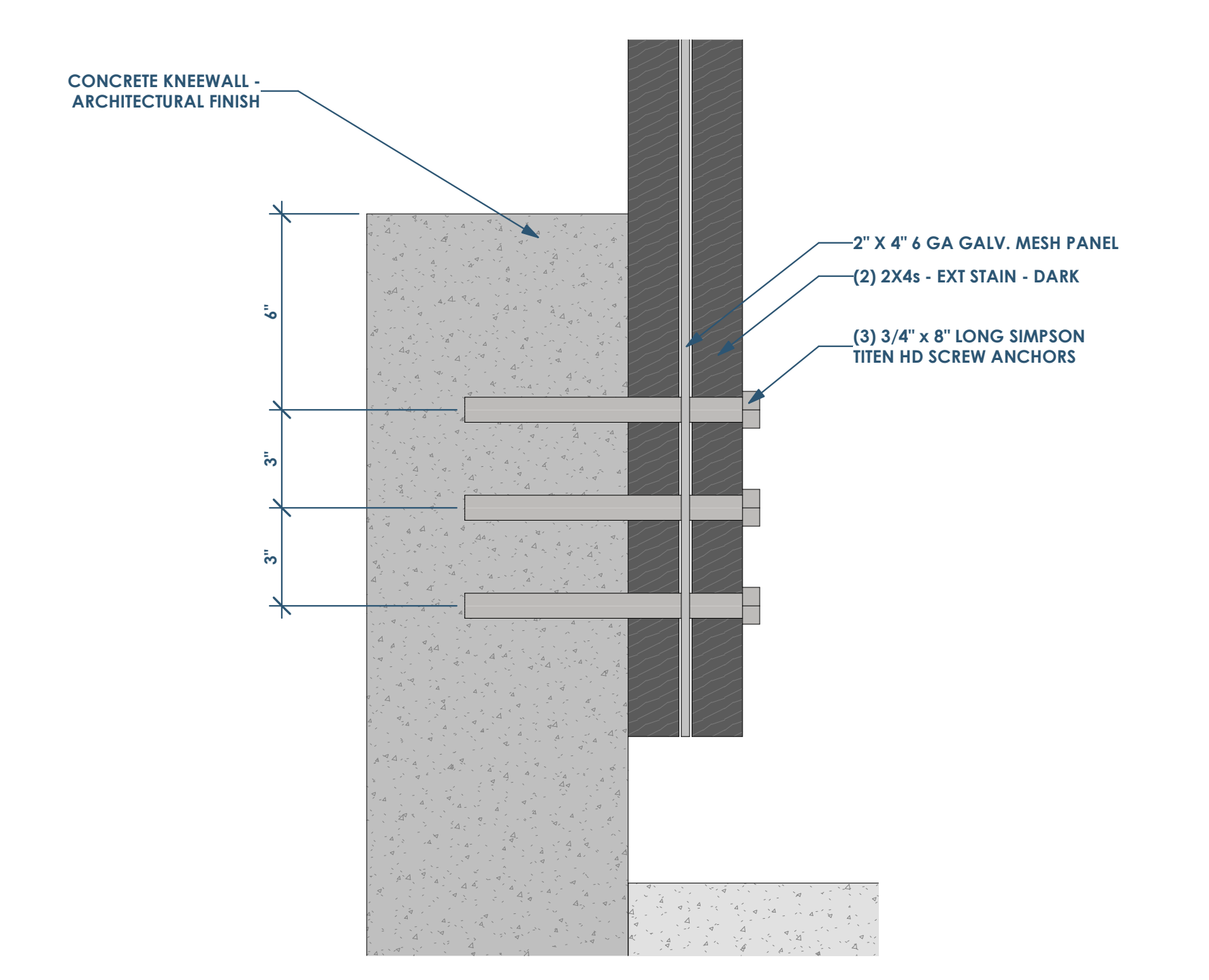
6A A503 SECTION DETAIL - PARTY WALL AND FLOOR TRUSS
 3" = 1'-0"



4A A503 SECTION DETAIL - EXTERIOR WALL & FLOOR TRUSS
 3" = 1'-0"



2C A503 SECTION DETAIL - ROOF HATCH
 3" = 1'-0"



2A A503 SECTION DETAIL - AT CONCRETE KNEEWALL
 3" = 1'-0"

This project, like most OpeningDesign's projects, is open source. (Attribution-ShareAlike 4.0 International-CC BY-SA 4.0)-freely available to any party for future use, assuming the terms such as Attribution and ShareAlike are honored.

Date	Description
08/10/2022	Issued for Permit
08/26/2022	Permit Revisions

openingdesign
 Architect: OpeningDesign
 17 S Fairchild | FL 7
 Madison, WI 53703
 ryan@openingdesign.com | 773.425.6456